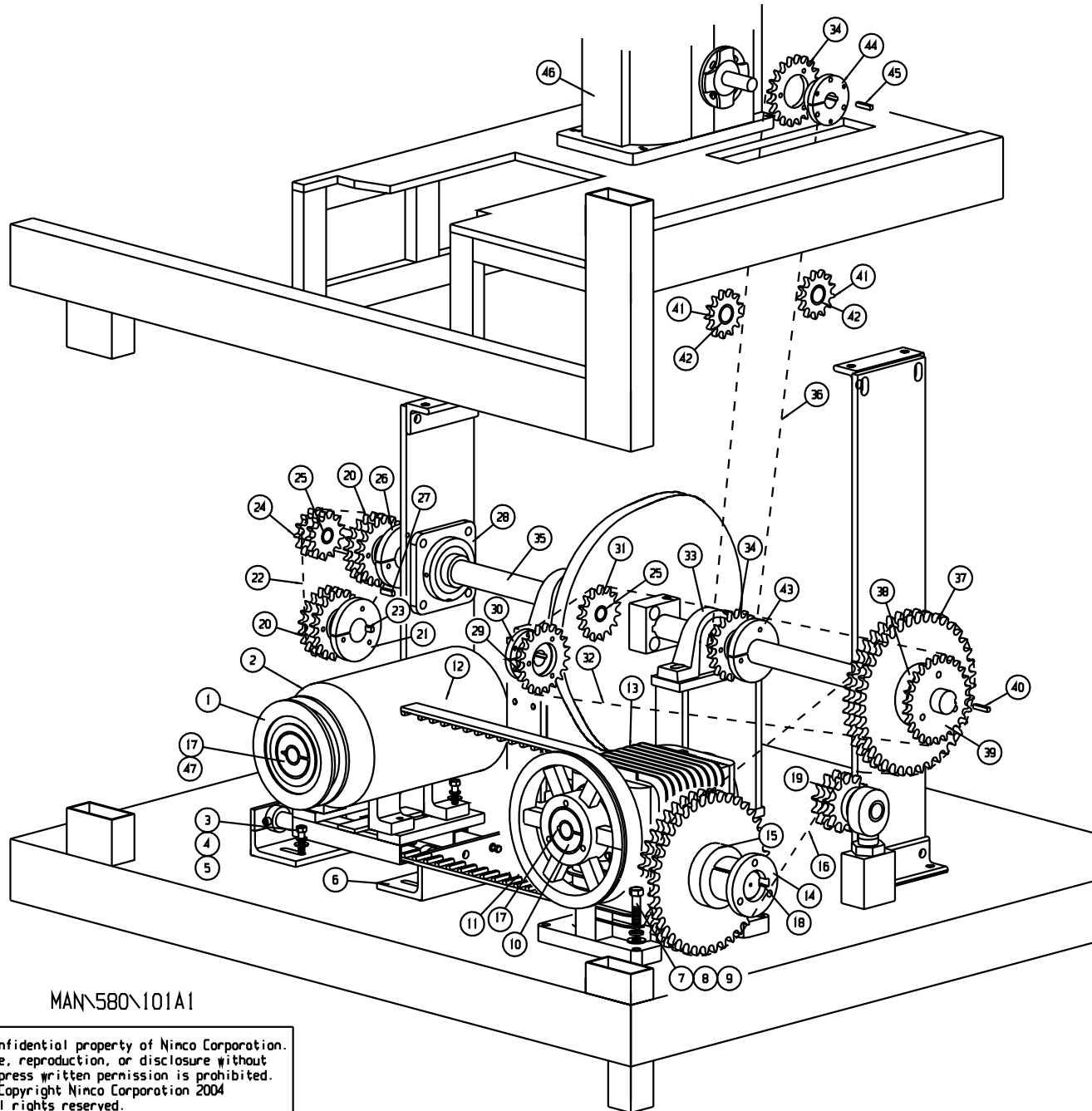


580 FORMER MAIN DRIVE COMPONENTS PARTS LIST

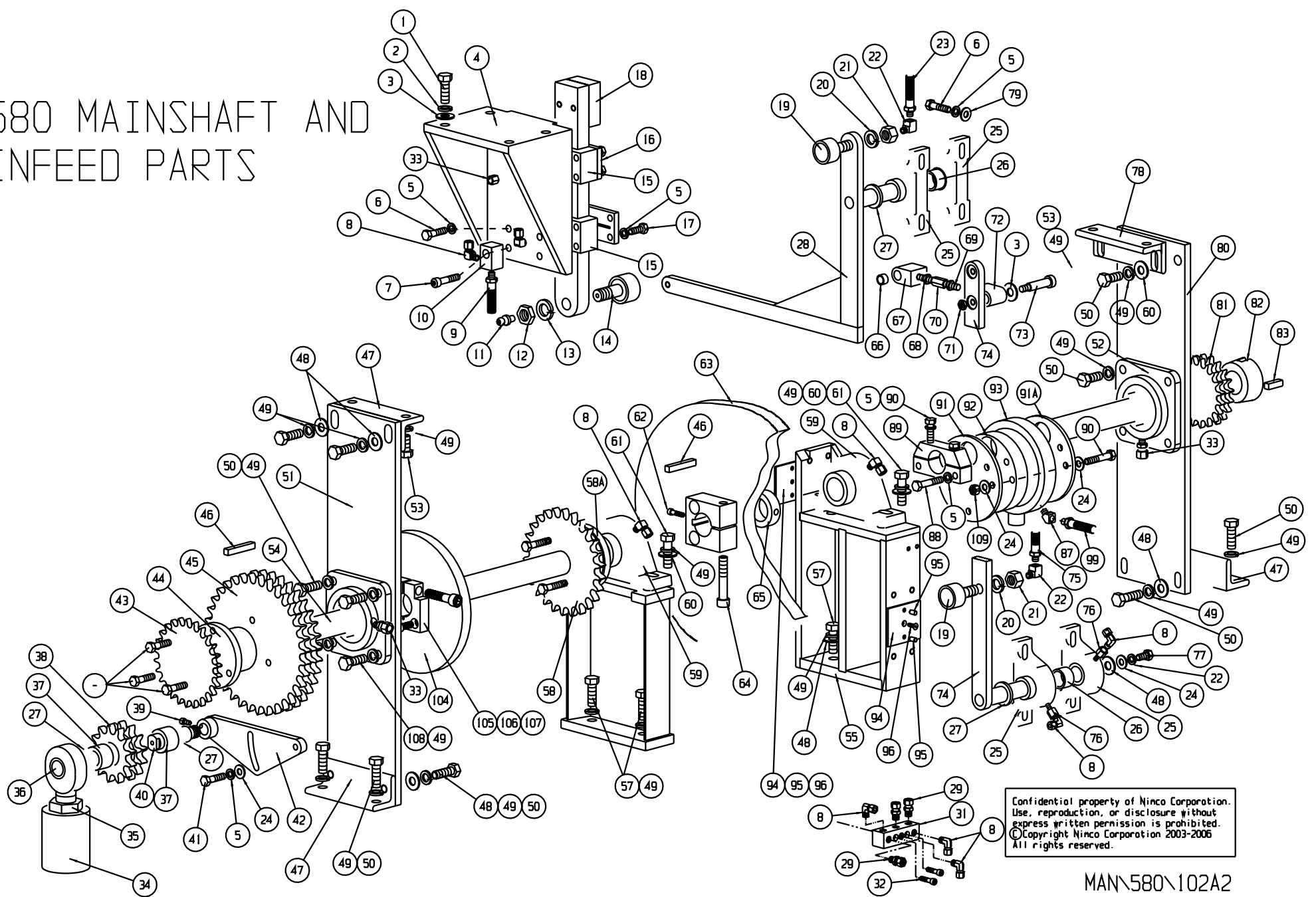


ITEM	PART NO	DESCRIPTION	QTY
1	DR517	Sheave, 1 3/16 x 7 O.D.	1
2	MT005	Motor, Drive, 2 HP - 3Ph	1
3	PH408	Hex Head, 3/8-16 x 1	8
4	PW420	Washer, Lock, 3/8	8
5	PW410	Washer, Flat, 3/8	8
6	0076	Base, Motor	1
7	PW610	Washer, Flat, 1/2	4
8	PW620	Washer, Lock, 1/2	4
9	PH616	Hex Head, 1/2-13 x 2	4
10	DR515	Bushing, Sheave, 1 3/16	1
11	DR511	Sheave, 1 3/16 x 9 O.D.	1
12	DR520	Belt, Drive, 66.6	1
13	DR050	Reducer, Speed, CD	1
14	SP313	Bushing, #Q1-1 7/8	1
15	SP310	Sprocket, #D60Q36	1
16	1801	Chain, Main Drive, D60	1
17	1737	Key, Reducer Input, 1/4	2
18	1713	Key, Reducer Output, 1/2	1
19	60	Sprocket, Idler, D60A13	1
20	SP219	Sprocket, #D50TBL20H	2
21	SP222	Bushing, #2012-1 1/4	1
22	1807	Chain, Filler, Main Drive	1
23	1714	Key, Filler Shaft, 1/4	1
24	0389	Sprocket, Idler, D50A11	1
25	BE010	Oilite, .75x1x1	2
26	SP223	Bushing, #2012-1 1/2	1
27	1711	Key, Sprocket, Index	1
28	BE227	Bearing, Flange, 1.5	2
29	SP233	Sprocket, #50SDS26H	1
30	SP212	Bushing, #SDS-1 1/2	1
31	SP203	Sprocket, #50B15-1	1
32	3061	Chain, Bottom Crimp, #50	1
33	BE328	Bearing, Pillow, 1.5	2
34	SP305	Sprocket, #60SK26	2
35	0292	Shaft, Former Drive, 38	1
36	1803	Chain, Index Drive, #60	1
37	SP309	Sprocket, #D60Q35	1
38	SP311	Bushing, #Q1-1 1/2	1
39	3040	Sprocket, Crimp Drive	1
40	1715	Key, Main Cam, 3/8	1
41	1062	Sprocket, Idler, #60B13	2
42	BE304	Bearing, Roller, MR-16	4
43	SP314	Bushing, #SK-1 1/2	1
44	SP308	Bushing, #SK-1 5/8	1
45	1716	Key, Indexer Input, 3/8	1
46	DR020	Indexer, Former, #CCM	1
47	SP337	Bushing, #SK-7/8	1

MAN\580\101A1

Confidential property of Ninco Corporation.
Use, reproduction, or disclosure without
express written permission is prohibited.
© Copyright Ninco Corporation 2004
All rights reserved.

580 MAINSHAFT AND INFEED PARTS



580 MAINSHAFT AND INFEED PARTS LIST

ITEM	PART NO	DESCRIPTION	QTY	ITEM	PART NO	DESCRIPTION	QTY	ITEM	PART NO	DESCRIPTION	QTY
1	SH612	Hex Head, 1/2-13 x 1 1/2	4	37	BE304	Bearing, Roller, MR-16	2	73	0279	Stripper, Plated, 1/2x1 1/2	2
2	SW620	Washer, Lock, 1/2	4	38	0060	Sprocket, Idler, D60A13	1	74	2541	Arm, Infeed	1
3	SW610	Washer, Flat, 1/2	6	39	PK204	Socket Head, 1/4-20 x 1/2	1	75	1899	Hose, Grease, 9 1/2	1
4	0012	Casting, Seal Guide	1	40	BE403	Shaft, Idler, No. 4	1	76	FP210	Extender, 1/8FP x 1/4-28	4
5	PW420	Washer, Lock, 3/8	31	41	PH410	Hex Head, 3/8-16 x 1 1/4	10	77	PH406	Hex Head, 3/8-16 x 3/4	2
6	PH412	Hex Head, 3/8-16 x 1 1/2	7	42	0049	Bracket, Idler	1	78	11406	Bracket, Plate, Outfeed, 380	1
7	PK414	Socket Head, 3/8-16 x 1 3/4	1	43	3040	Sprocket, Crimp Drive	1	79	PW310	Washer, Flat, 5/16	8
8		Elbow, Grease x 1/8MP	8	44	SP311	Bushing, No. Q1-1 1/2	1	80	0020	Plate, End	1
9	1897	Hose, Grease, 7 1/2	1	45	SP309	Sprocket, D60Q35	1	81	SP219	Sprocket, No. D50TLB20H	1
10	0180	Block, Grease	1	46	1715	Key, Main Cam, 3/8-16x2 3/8	2	82	SP223	Bushing, No. 2012-1 1/2	1
11	FG102	Zerk, 3/16 Drive Straight	1	47	0018	Bracket, Plate	3	83	1711	Key, Sprocket, Index	1
12	PN935	Nut, Jam, 3/4-16	2	48	PW610	Washer, Flat, 1/2	12	84			
13	PW920	Washer, Lock, 3/4	1	49	PW620	Washer, Lock, 1/2	32	85			
14	BE315	Follower, Cam, 1.75	1	50	PH610	Hex Head, 1/2-13 x 1 1/4	18	86			
15	0139	Block, Bearing	2	51	0019	Plate, End	1	87	FP411	Street Elbow, 1/8 x 45°	1
16	0140	Plate, Bearing Block	2	52	BE327	Bearing, Flange, 1 1/2	2	88	PH416	Hex Head, 3/8-16 x 2	2
17	PH408	Hex Head, 3/8-16 x 1	8	53	PH608	Hex Head, 1/2-13 x 1	4	89	3516	Clamp, Cam	1
18	0143	Table, Bottom Seal	1	54	0292	Shaft, Former Drive	1	90	PH417	Hex Head, 3/8-16 x 2 1/4	5
19	1269	Follower, Cam, 1 1/2-30	2	55	2540	Bracket, Pivot, Infeed/Lift	1	91	3517	Plate, Retainer, R1.6x1.5C	1
20	PW820	Washer, Lock, 5/8	2	56	0021	Casting, Pillow, Block	1	92	3518	Cam, Eccentric, 1 5/8	1
21	PN815	Nut, Hex, 5/8-18	2	57	PH612	Hex Head, 1/2-13 x 1 1/2	4	93	2728	Housing, Cam, Outfeed	1
22	FP611	Street Elbow, 1/8FP x 1/8MP	2	58	SP305	Sprocket, No. 60SK26	1	94	2540I	Plate, Bearing	2
23	1909	Hose, Grease, 14	1	59	BE328	Bearing, Pillow, 1 1/2	2	95	SL206	Roll Pin, 1/4 x 3/4 SST	4
24	PW410	Washer, Flat, 3/8	10	60	PW615	Washer, Flat, 1/2 SAE	4	96	SF103	FHSCS, 10-32 x 3/8	2
25	2599	Bearing, Pivot	4	61	PH614	Hex Head, 1/2-13 x 1 3/4	4	97			
26	2543	Spacer, Bearing	2	62	PK206	Socket Head, 1/4-20 x 3/4	1	98			
27	0193	Washer, Thrust	4	63	0024	Cam, Main Assembly	1	99	1902	Hose, Grease, 12	1
28	2542	Arm, Lift	1	64	PK619	Socket Head, 1/2-13 x 2 3/4	1	100			
29	FU211	Union, Swivel, 1/8 STR	3	65	CL009	Collar, Shaft, 1 1/2	1	101			
30				66	BE213	Duralon, .5 x .625 x .5	4	102			
31	0804	Block, Grease, 3 Hole x 90°	1	67	2545	Link, Infeed Arm	1	103			
32	PK210	Socket Head, 1/4-20 x 1 1/4	2	68	SN435	Nut, Jam, Right, 3/8-24	1	104	3950	Cam, Heater Lift	1
33		Connector, Grease x 1/8MP	5	69	SN436	Nut, Jam, Left, 3/8-24	1	105	3807	Clamp, Cam	1
34	0051	Post, Idler Shaft	1	70	0126	Stud, Connecting, 3.250	1	106	PK616	SHCS, 1/2-13 x 2	1
35	PND35	Nut, Jam, 1 1/4-12	1	71	PN430	Nut, Jam, 3/8-16	2	107	PK408	SHCS, 3/8-16 x 1	2
36	BE415	Rod End, Male, 1	1	72	2593	Link, Infeed Arm	1	108	PH618	Hex Head, 1/2-13 x 2 1/2	2
					SP314	Bushing, SK-1 1/2	1	109	PN440	Nut, Jam, 3/8-16	3
				91A	4537	Plate, Retainer, F-1.6x1.5	1	110			

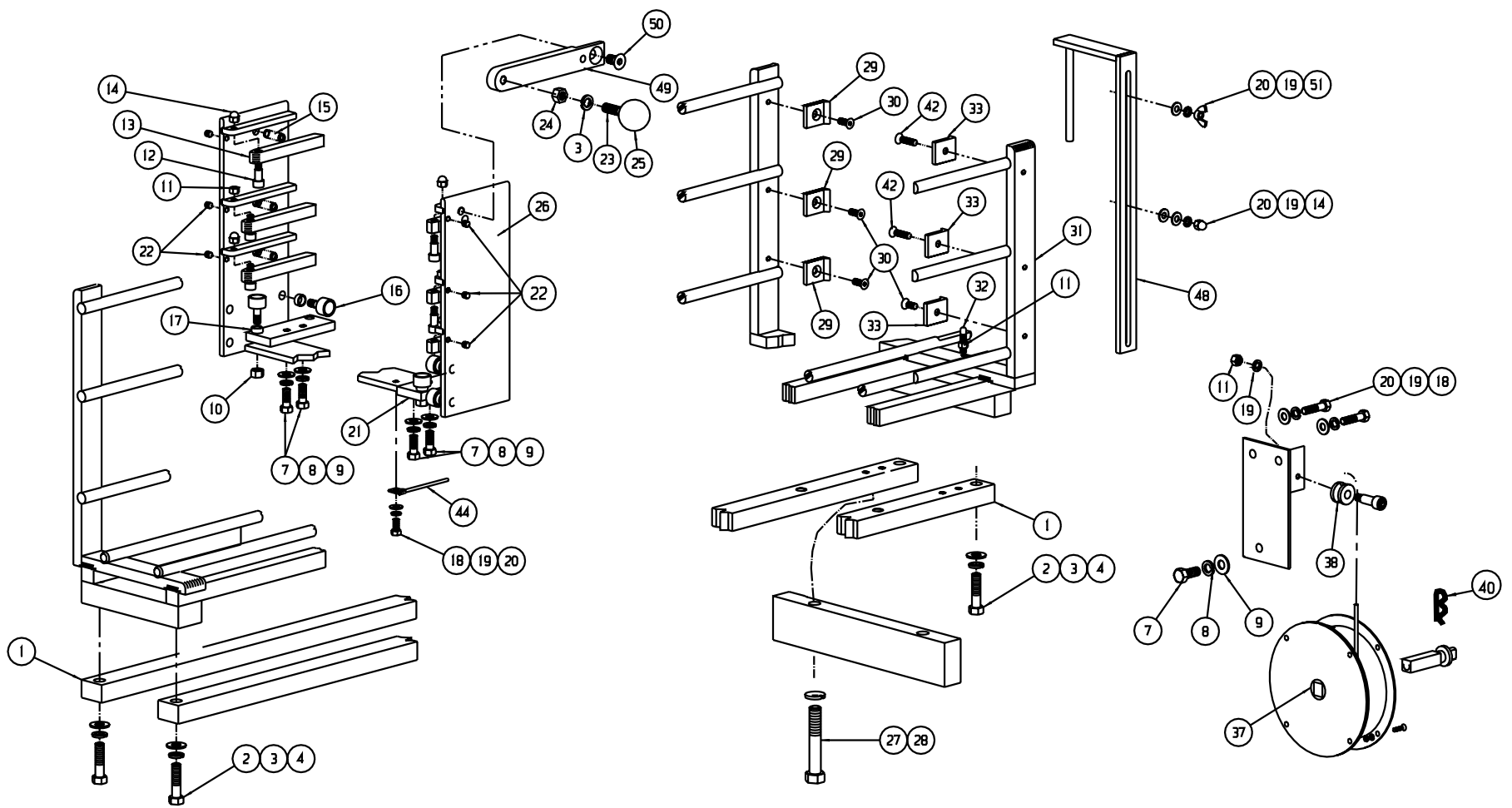
CUT OFF

CUT OFF

7/06/05 JHS: Item 33 was qty 6; Removed items 62, 64, 65, 66; Added item 99

CUT OFF

580 CARTON MAGAZINE



(A-STYLE)

Confidential property of Ninco Corporation.
Use, reproduction, or disclosure without
express written permission is prohibited.
© Copyright Ninco Corporation 1992, 2008
All rights reserved.

MAN\580\103A1

580 CARTON MAGAZINE PARTS LIST

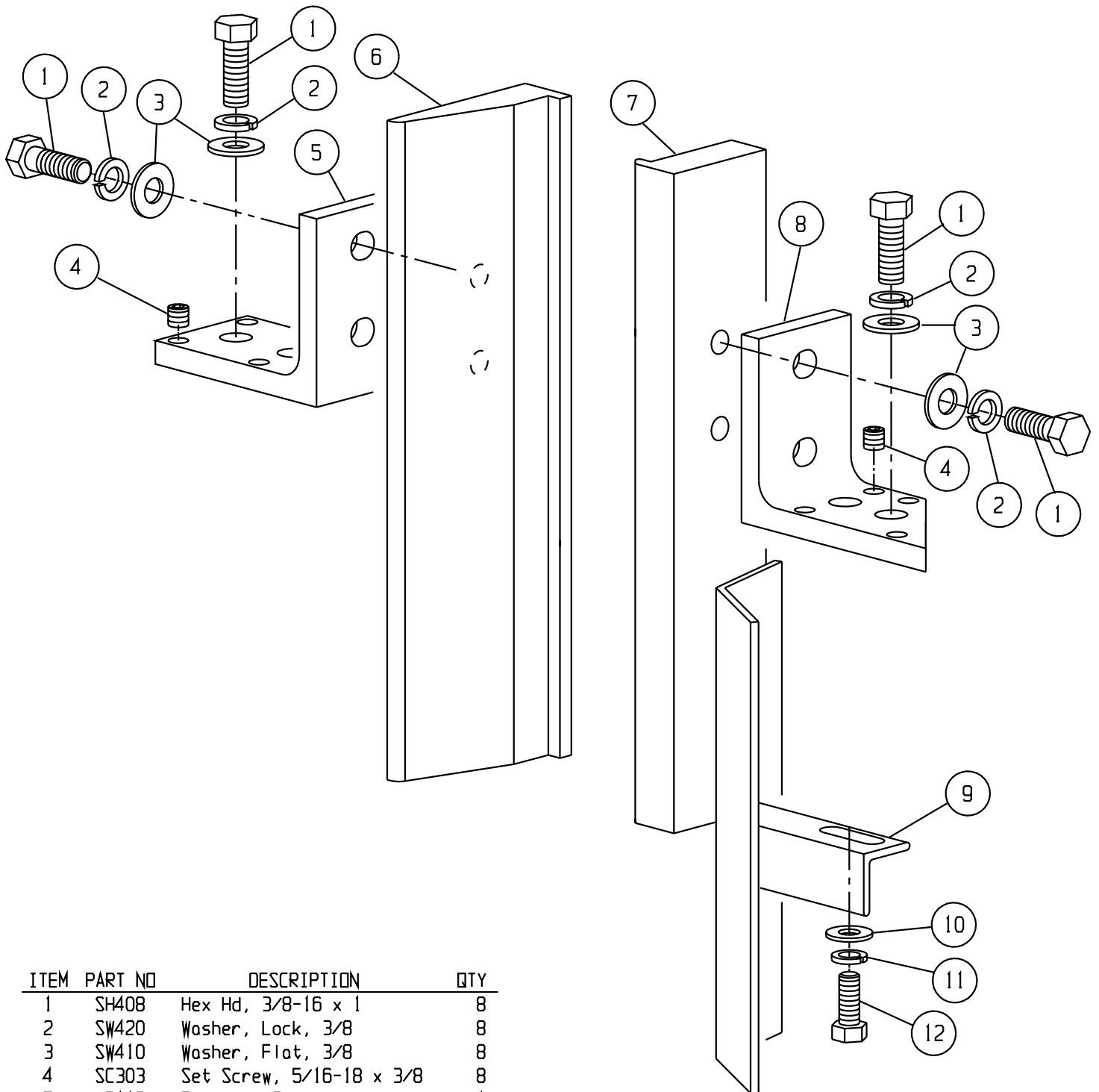
ITEM	PART NO	DESCRIPTION	QTY	ITEM	PART NO	DESCRIPTION	QTY
1	12203	Bar, Magazine Support, 580	2	30	SF204	Flat Hd, 1/4-20 x 1/2	4
2	SW410	Washer, Flat, 3/8		31	1681	Magazine, Quart	1
3	SW420	Washer, Lock, 3/8	5	32	1910	Button, Carton Open	1
4	SH410	Hex Hd, 3/8-16 x 1 1/4	4	33	1687		3
5				34			
6				35	11951	Plate, Mount, Spring Reel	1
7	SH306	Hex Hd, 5/16-18 x 3/4		36	2216	Stud, Spring Reel	1
8	SW320	Washer, Lock, 5/16		37	1602	Reel, Spring	1
9	SW310	Washer, Flat, 5/16		38	1078	Pulley, Jog	1
10	SN435	Nut, Jan, 3/8-24	12	39	BS304	Stripper, SST, 5/16 x 1/2	1
11	SN210	Nut, Hex, 1/4-20		40	SG024	Clip, Hairpin, 5/16	1
12	1693	Stripper, Plated, 5/16 x 1/2	6	41			
13	1733	Finger, Magazine	6	42	SF212	Flat Hd, 1/4-20 x 1 1/2	2
14	SN220	Nut, Acorn, 1/4-20, High Crown	5	43			
15	1819	Spring, Magazine Finger	6	44	1882	Wire Rope, Spring Reel, 36	1
16	BE310	Follower, Can, .75	12	45			
17	1685	Spacer, Roller	12	46			
18	SH204	Hex Hd, 1/4-20 x 1/2	3	47			
19	SW220	Washer, Lock, 1/4		48	1494	Opener, Carton Top, Adjustable	1
20	SW210	Washer, Flat, 1/4		49	9912	Extension, Magazine, 7.5	1
21	1683	Plate, Roller	2	50	8703	Flat Hd, 3/8-16 x 1/2	1
22	SC230	Set Screw, 1/4-20 x 1/4 NyTip	6	51	SN250	Nut, Wing, 1/4-20	1
23	11885	Stud, 3/8-16 x 1 1/4	1				
24	SN410	Nut, Hex, 3/8-16	1				
25	KN003	Knob, 3/8-16 x 1 3/8 Dia.	1				
26	1682	Pusher, Carton	1				
27	SW620	Washer, Lock, 1/2	2				
28	PH619	Hex Hd, 1/2-13 x 2 3/4	2				
29	2377		3				

CUT OFF

CUT OFF

CUT OFF

580QL INFEED CAGE PARTS LIST

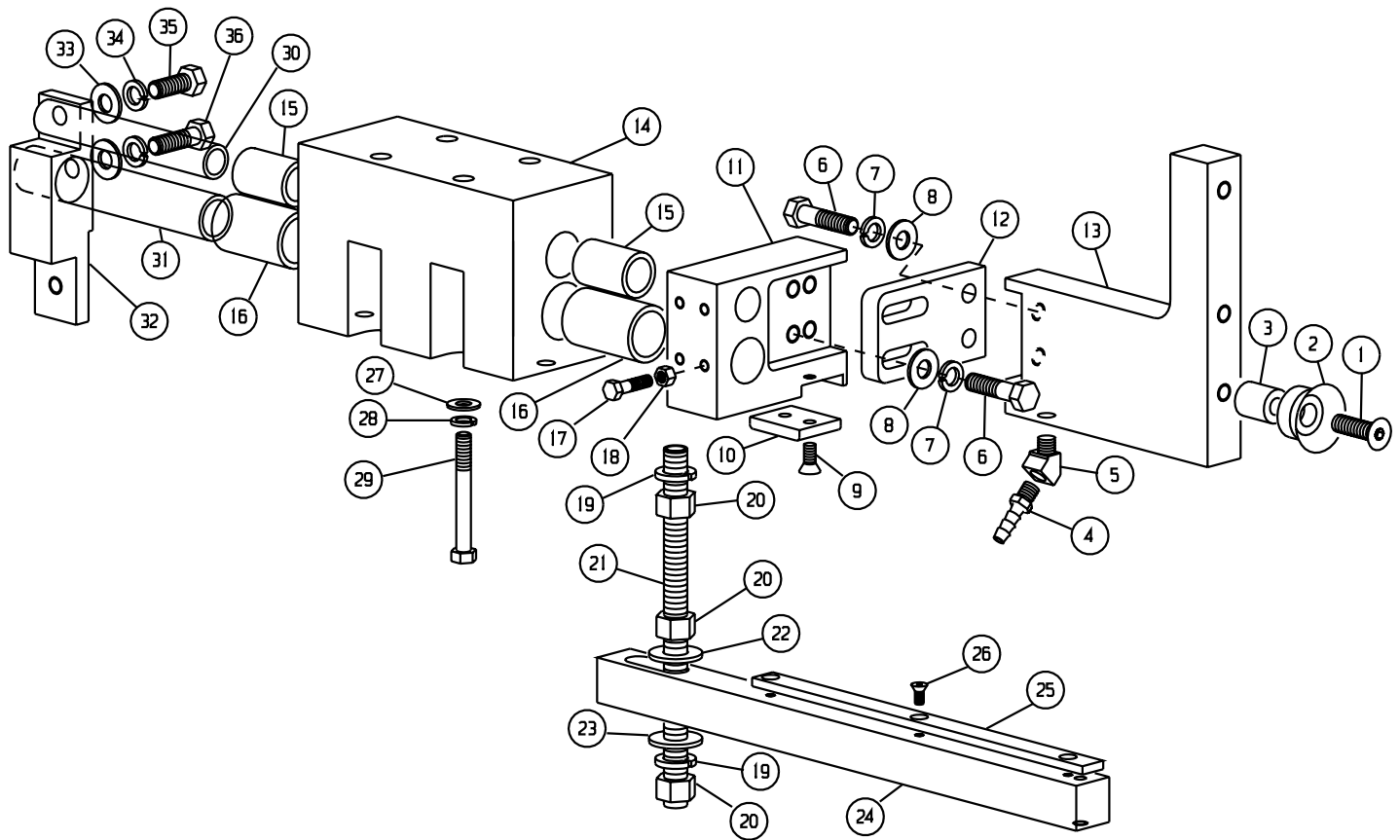


ITEM	PART NO	DESCRIPTION	QTY
1	SH408	Hex Hd, 3/8-16 x 1	8
2	SW420	Washer, Lock, 3/8	8
3	SW410	Washer, Flat, 3/8	8
4	SC303	Set Screw, 5/16-18 x 3/8	8
5	3113	Bracket, Cage, LH	1
6	2371	Cage, Infeed, Left	1
7	11354	Cage, Infeed, Right, A-style	1
8	3112	Bracket, Cage, RH	1
9	4315	Guide, Infeed	1
10	PW310	Washer, Flat, 5/16	1
11	PW420	Washer, Lock, 3/8	1
12	PH406	Hex Hd, 3/8-16 x 3/4	1

MAN\580\104A1

Confidential property of Ninco Corporation.
Use, reproduction, or disclosure without
express written permission is prohibited.
©Copyright Ninco Corporation 2004
All rights reserved.

580 INFEED VACUUM MANIFOLD PARTS LIST



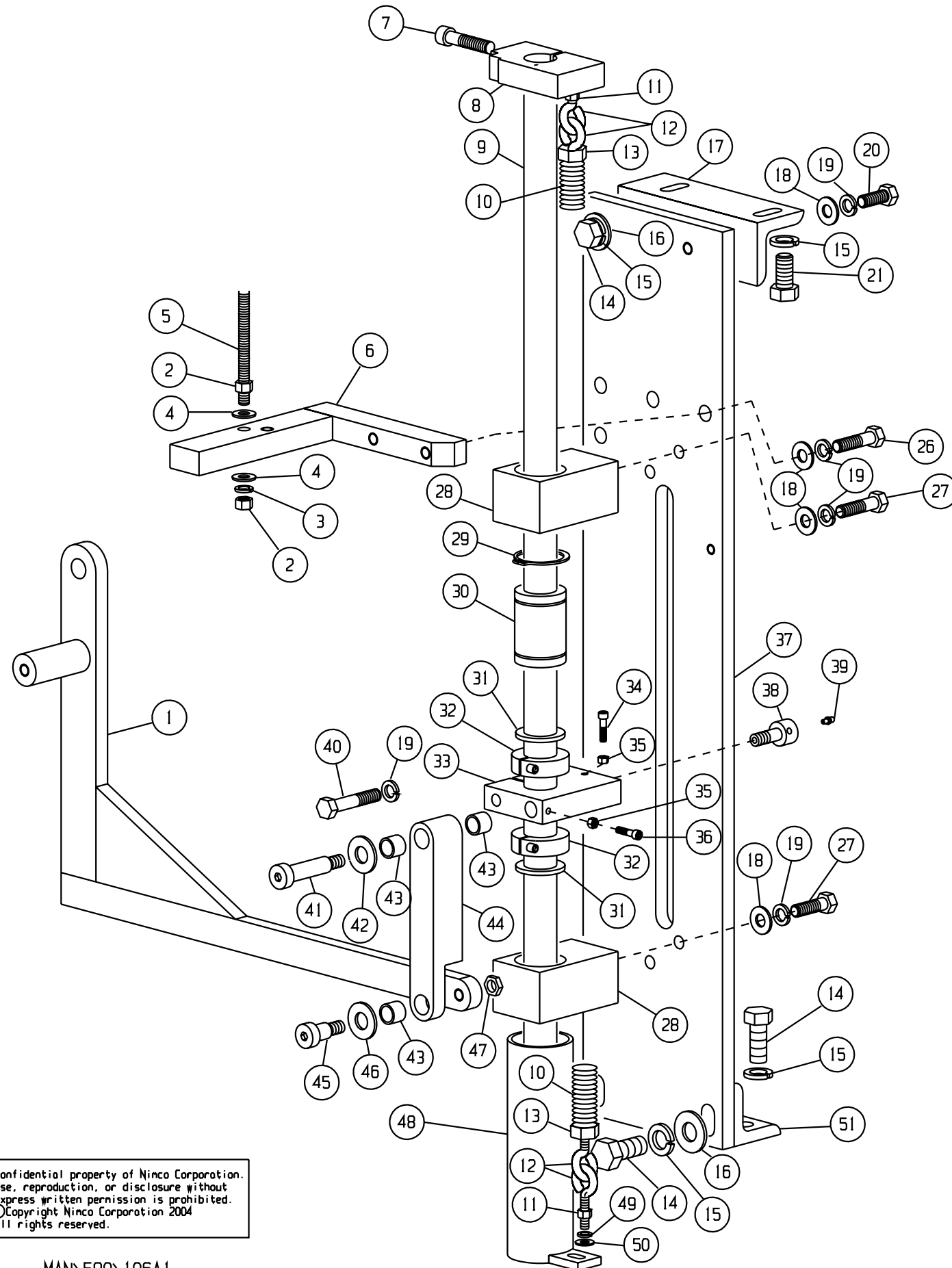
ITEM	PART NO	DESCRIPTION	QTY	ITEM	PART NO	DESCRIPTION	QTY
1	0107	Screw, Vacuum	3	19	PW620	Washer, Lock, 1/2	2
2	VA052	Disk, Infeed Vacuum	3	20	PN610	Nut, Hex, 1/2-13	3
3	1166	Spacer, Vacuum Disk	3	21	8701	Stud, 1/2-13 x 6 1/4	1
4	FB131	Barb Ftg, 1/4B x 1/8MP	1	22	PW615	Washer, Flat, 1/2 SAE	1
5	FP411	Street Elbow, 1/8 x 45'	1	23	PW610	Washer, Flat, 1/2 STD	1
6	SH412	Hex Hd, 3/8-16 x 1-1/2	4	24	0108	Bar, Slide	1
7	SW420	Washer, Lock, 3/8	4	25	0109	Wear Strip	1
8	SW410	Washer, Flat, 3/8	4	26	SF103	Flat Hd, 10-32 x 3/8	3
9	SF204	Flat Hd, 1/4-20 x 1/2	2	27	PW310	Washer, Flat, 5/16	4
10	0106	Plate, Wear	1	28	PW320	Washer, Lock, 5/16	4
11	0105a	Base, Vacuum Head	1	29	PH318	Hex Hd, 5/16-18 x 2-1/2	4
12	0105c	Plate, Conn, Vacuum Head	1	30	1718	Shaft, Infeed, 3/4	1
13	11310	Head, Vacuum	1	31	1719	Shaft, Infeed, 1	1
14	0104	Housing, Infeed Shaft	1	32	2774	Bracket, Infeed	1
15	BE214	Duralon, 3/4 x 1 x 1-1/2	2	33	PW410	Washer, Flat, 3/8	2
16	BE216	Duralon, 1 x 1-1/4 x 2	2	34	PW420	Washer, Lock, 3/8	2
17	PH208	Hex Hd, 1/4-20 x 1	6	35	PH408	Hex Hd, 3/8-16 x 1	1
18	PN210	Nut, Hex, 1/4-20	6	36	PH410	Hex Hd, 3/8-16 x 1-1/4	1

MAN\580\105A1

Confidential property of Ninco Corporation.
Use, reproduction, or disclosure without
express written permission is prohibited.
© Copyright Ninco Corporation 2004
All rights reserved.

580 CARTON LIFT ASSEMBLY

580 CARTON LIFT ASSEMBLY PARTS LIST



ITEM	PART NO	DESCRIPTION	QTY	ITEM	PART NO	DESCRIPTION	QTY
1	2542	Arm, Lift	1	31	2597	Bumper, Lift Clamp	2
2	PN310	Nut, Hex, 5/16-18	2	32	CL011	Collar, Clamp, SST, 1	2
3	PW320	Washer, Lock, 5/16	2	33	2544	Clamp, Lift	1
4	PW310	Washer, Flat, 5/16	2	34	SK103	Soc Hd, 10-32 x 3/8	1
5	8700	Stud, 5/16-18 x 3 1/2	1	35	SN110	Nut, Hex, 10-32	2
6	0318	Bracket, Breakaway	1	36	SK104	Soc Hd, 10-32 x 1/2	1
7	PK314	Soc Hd, 5/16-18 x 1-3/4	1	37	0316	Plate, Lift	1
8	3074	Table, Lift, Quart	1	38	BE310	Follower, Con, 3/4	1
9	0478	Shaft, Infeed Lift, 34	1	39	FG102	Zerk, 3/16 Drive Strght	1
10	SG010	Spring, Lift	1	40	PH416	Hex Hd, 3/8-16 x 2	1
11	PN210	Nut, Hex, 1/4-20	2	41	0668	Strip, Pltd, 1/2 x 1-3/4	1
12	PE208	Eyebolt, 1/4-20 x 1	4	42	SW610	Washer, Flat, 1/2	1
13	0045	Screw, Lift Spring	2	43	BE213	Duralon, 1/2 x 5/8 x 1/2	3
14	PH610	Hex Hd, 1/2-13 x 1-1/4	5	44	2546	Link, Lift Arm	1
15	PW620	Washer, Lock, 1/2	7	45	1234	Strip, Pltd, 1/2 x 5/8	1
16	PW610	Washer, Flat, 1/2	3	46	PW615	Washer, Flat, 1/2 SAE	1
17	0315	Bracket, Lift Plate	1	47	PN430	Nut, Jam, 3/8-16	1
18	PW410	Washer, Flat, 3/8	8	48	2594	Guard, Shaft	1
19	PW420	Washer, Lock, 3/8	9	49	PW220	Washer, Lock, 1/4	1
20	PH408	Hex Hd, 3/8-16 x 1	1	50	PW210	Washer, Flat, 1/4	1
21	PH608	Hex Hd, 1/2-13 x 1	2	51	0018	Bracket, Plate	1
22							
23							
24							
25							
26	PH412	Hex Hd, 3/8-16 x 1-1/2	3				
27	PH410	Hex Hd, 3/8-16 x 1-1/4	4				
28	0317	Block, Bearing	2				
29	SG019	Ring, Retaining	4				
30	BE218	Duralon, 1x1-9/16x2-1/4	2				

Confidential property of Ninco Corporation.
Use, reproduction, or disclosure without
express written permission is prohibited.
©Copyright Ninco Corporation 2004
All rights reserved.

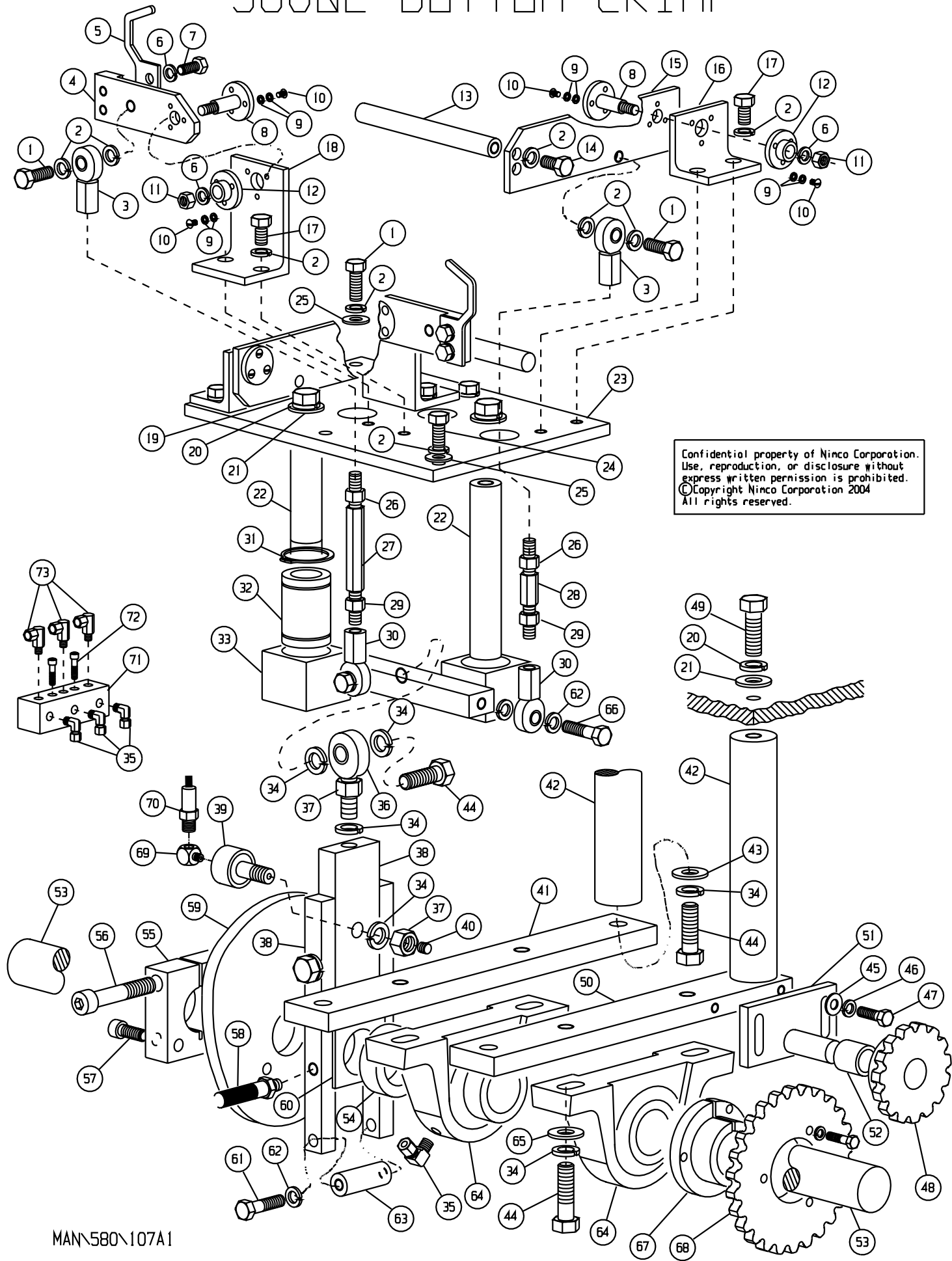
MAN\580\106A1

CUT OFF

CUT OFF

CUT OFF

580QL BOTTOM CRIMP



580QL BOTTOM CRIMP PARTS LIST

ITEM	PART NO	DESCRIPTION	QTY	ITEM	PART NO	DESCRIPTION	QTY
1	SH408	Hex Hd, 3/8-16 x 1	5	41	0119	Bar, Support	1
2	SW420	Washer, Lock, 3/8	22	42	0118	Post, Support	4
3	BE411	Rod End, Fem, 3/8, Right	4	43	PW610	Washer, Flat, 1/2	4
4	0127	Arm, Crimp	2	44	PH612	Hex Hd, 1/2-13 x 1-1/2	9
5	0336	Finger, Crimp	2	45	PW310	Washer, Flat, 5/16	2
6	SW320	Washer, Lock, 5/16	8	46	PW320	Washer, Lock, 5/16	2
7	SH306	Hex Hd, 5/16-18 x 3/4	4	47	PH308	Hex Hd, 5/16-18 x 1	2
8	0128	Bolt, Sholder	4	48	SP203	Sprocket, 50B15-1	1
9	SW020	Washer, Lock, No 8	48	49	SH612	Hex Hd, 1/2-13 x 1-1/2	4
10	SR004	Round Hd, 8-32 x 1/2	24	50	3648	Bar, Support	1
11	SN310	Nut, Hex, 5/16-18	4	51	0121	Bracket, Idler	1
12	0129	Bearing, Shoulder Bolt	4	52	BE010	Dilite, 3/4 x 1 x 1	1
13	0335	Rod, Crimp	2	53	12086	Shaft, Btn Crimp, Encode-C2	1
14	SH406	Hex Hd, 3/8-16 x 3/4	2	54	CL009	Collar, Shaft, 1-1/2	1
15	0332	Arm, Crimp	2	55	0136	Clamp, Crimp Cam	1
16	0333	Bracket, Crimp Arm	2	56	PK619	Soc Hd, 1/2-13 x 2-3/4	1
17	SH405	Hex Hd, 3/8-16 x 5/8	8	57	PK408	Soc Hd, 3/8-16 x 1	2
18	0334	Bracket, Crimp Arm	2	58	1900	Hose, Grease, 10 1/2	2
19	SH610	Hex Hd, 1/2-13 x 1-1/4	2	59	0135	Cam, Crimp	1
20	SW620	Washer, Lock, 1/2	6	60	0130	Bearing, Fork	1
21	SW610	Washer, Flat, 1/2	6	61	PH412	Hex Hd, 3/8-16 x 1-1/2	2
22	0134	Shaft, Crimp Guide	2	62	PW420	Washer, Lock, 3/8	10
23	0131	Plate, Crimp	1	63	0137	Post, Fork Spacer	1
24	SH410	Hex Hd, 3/8-16 x 1-1/4	3	64	BE328	Bearing, Pillow, 1-1/2	2
25	SW410	Washer, Flat, 3/8	4	65	PW615	Washer, Flat, 1/2 SAE	4
26	SN435	Nut, Jam, Right, 3/8-24	4	66	PH410	Hex Hd, 3/8-16 x 1-1/4	4
27	0133	Stud, Connecting, 5"	2	67	SP212	Bushing, SDS-1-1/2	1
28	0126	Stud, Connecting, 3-1/2"	2	68	SP233	Sprocket, 50SDS26H	1
29	SN436	Nut, Jam, Left, 3/8-24	4	69	FP610	St. Elbow, 1/8F x 1/4-28	1
30	BE412	Rod End, Fem, 3/8, Left	4	70	1897	Hose, Grease, 7 1/2	1
31	SG019	Ring, Retaining	4	71	0804	Block, Grease, 3 Hole x 90	1
32	BE218	Duralon, 1x1-9/16x2-1/4	2	72	PK210	Socket Hd, 1/4-20 x 1 1/4	2
33	0132	Casting, Crimp Drive	1	73	FL611	Union, Swivel, 1/8 x 90'	3
34	PW620	Washer, Lock, 1/2	12				
35		Elbow, Grease, 1/8MP	5				
36	BE413	Rod End, Male, 1/2	1				
37	PN615	Nut, Hex, 1/2-20	2				
38	0138	Fork, Crimp	1				
39	6525	Follower, Cam, 1-1/4 Tapped	1				
40	SC254	Set Screw, 1/4-28 x 1/4	1				

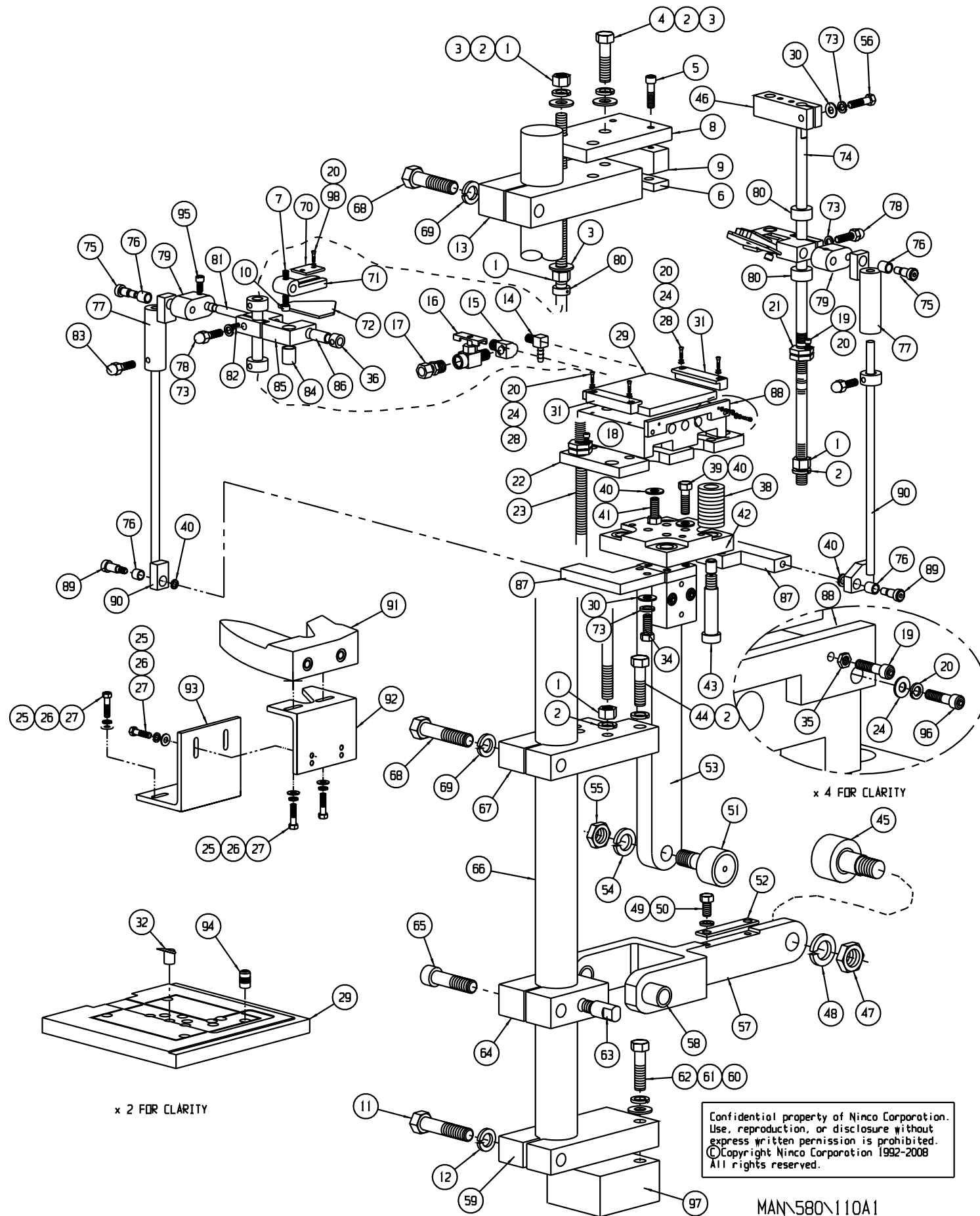
CUT OFF

CUT OFF

CUT OFF

580 BOTTOM SEAL

580 BOTTOM SEAL

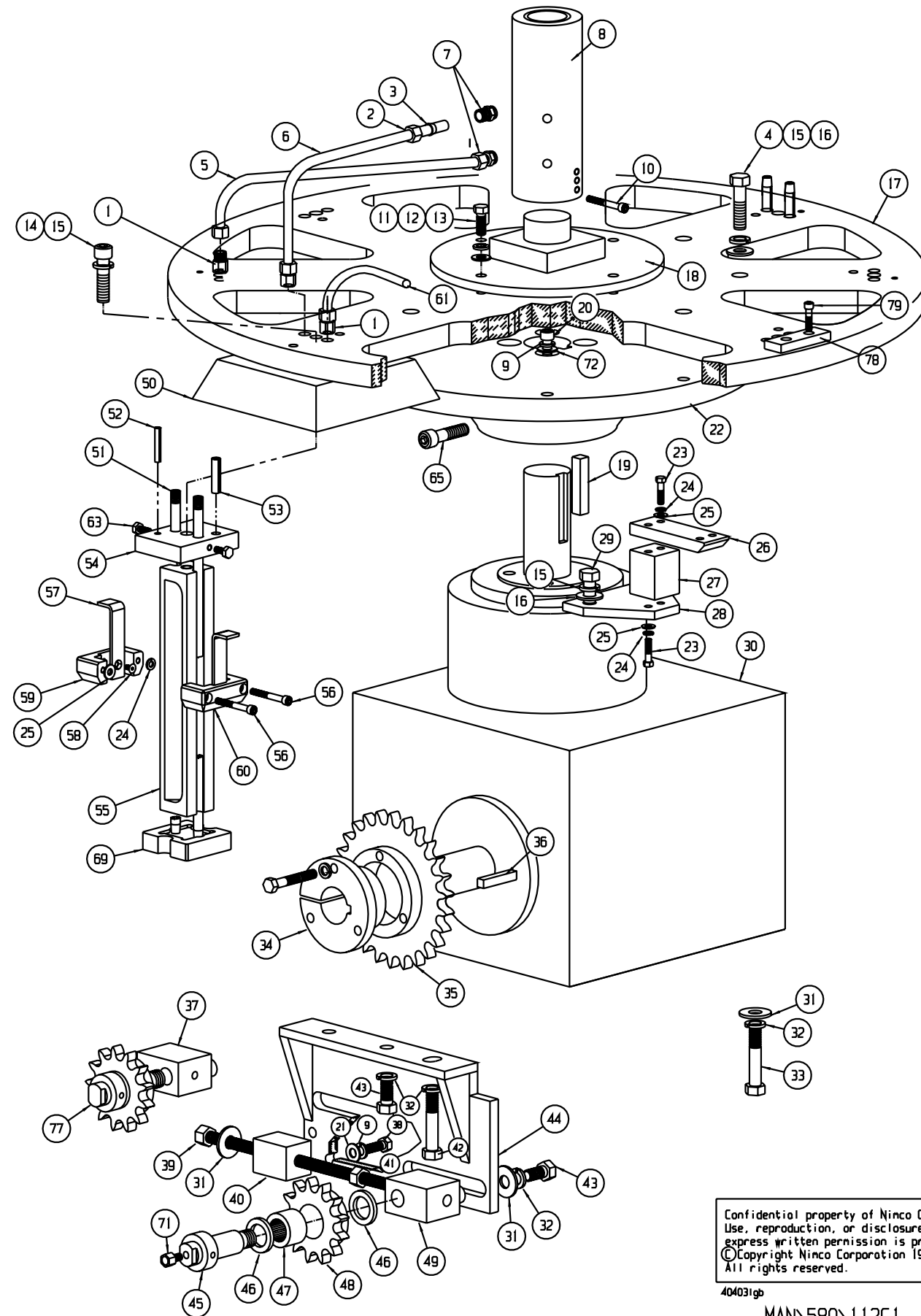


ITEM	PART NO	DESCRIPTION	QTY	ITEM	PART NO	DESCRIPTION	QTY
1	SN610	Nut, Hex, 1/2-13	8	51	BE315	Follower, Can, 1.75	1
2	SW620	Washer, Lock, 1/2	8	52	0144	Plate, Wear	1
3	SW610	Washer, Flat, 1/2	6	53	0143	Table, Bottom Seal	1
4	SH612	Hex Hd, 1/2-13 x 1 1/2	1	54	PW920	Washer, Lock, 3/4	1
5	SH210	Hex Head, 1/4-20 x 1 1/4	2	55	PN935	Nut, Jam, 3/4-16	1
6	10306	Block, Brake Pad, Wheel	8	56	SH308	Hex Hd, 5/16-18 x 1	1
7	SC202	Set Screw, 1/4-20 x 1/4	2	57	0147	Arm, Compression Seal	1
8	0312	Plate, Brake Pad	1	58	BE010	Dilite, .75 x 1 x 1	2
9	10305	Block, Brake Pad	1	59	0141	Clamp, Post	1
10	SK203	Soc. Hd., 1/4-20 x 3/8	2	60	PW610	Washer, Flat, 1/2	2
11	PH820	Hex Hd, 5/8-11 x 3	1	61	PW620	Washer, Lock, 1/2	2
12	PW820	Washer, Lock, 5/8	1	62	PH623	Hex Hd, 1/2-13 x 4	2
13	0338	Clamp, Post	1	63	0145	Bolt, Pivot	2
14	FB533	Barb Elbow, 1/4B x 1/4MP	1	64	0142	Clamp, Post Pivot	1
15	FP633	Street Elbow, 1/4FP x 1/4MP	1	65	PK817	Soc Hd, 5/8-11 x 2 1/4	1
16	FV233	Pet Cock, 1/4	1	66	11428	Tube, Support	1
17	FC253	Connector, 3/8T x 1/4MP	1	67	0339	Clamp, Post	1
18	4039	Manifold, Seal	1	68	SH820	Hex Hd, 5/8-11 x 3	2
19	SK104	Soc Hd, 10-32 x 1/2	6	69	SW820	Washer, Lock, 5/8	2
20	SW120	Washer, Lock, #10	8	70	0162	Plate, Crimp Arm	2
21	1448	Collar, Threaded Clamp	4	71	0154	Arm, Top Crimp	2
22	1813	Plate, Seal Stop	1	72	0688	Blade, Top Crimp	2
23	0345	Shaft, Crimp Guide, 23	2	73	SW320	Washer, Lock, 5/16	9
24	SW110	Washer, Flat, # 10	8	74	0344	Shaft, Crimp Guide, 18 1/2	2
25	SH206	Hex Head, 1/4-20 x 3/4	13	75	0301	Stripper, Plated, 3/8 x 1/2	2
26	SW220	Washer, Lock, 1/4	13	76	BE210	Duralon, .375 x .5 x .5	4
27	SW210	Washer, Flat, 1/4	13	77	0152	Housing, Crimp Rod, C1	2
28	SK108	Soc Hd, 10-32 x 1	8	78	0066	Bolt, Nimlock, 5/16 x 1	2
29	0341	Plate, Seal, Quart	1	79	1758	Block, Crimp Pivot	2
30	SW310	Washer, Flat, 5/16	7	80	CL003	Collar, Shaft, 1/2 x 7/8	8
31	0350	Clamp, Seal Plate, C2	2	81	0150	Shaft, Crimp, C1	2
32	2326	Pin, Center Seal, Qt/Lt	2	82	SC103	Set Screw, 10-32 x 3/8	2
33	SC254	Set Screw, 1/4-28 x 1/4	4	83	0065	Bolt, Nimlock, 5/16 x .625	2
34	SH310	Hex Hd, 5/16-18 x 1 1/4	5	84	BE004	Dilite, .5 x .625 x .75	2
35	SN110	Nut, Hex, 10-32	2	85	0153	Housing, Top Crimp	2
36	CL001	Collar, Shaft, 3/8	2	86	BE211	Duralon, .375 x .5 x 1	4
37	PPS23	Pipe Plug, Socket, 1/4	5	87	0343	Arm, Crimp Actuate	2
38	0283	Spring, Seal, 5/8 x 2	4	88	0353	Plate, Stop	1
39	SH414	Hex Hd, 3/8-16 x 1 3/4	4	89	0302	Stripper, Plated, 3/8 x 5/8	2
40	SW420	Washer, Lock, 3/8	9	90	0151	Rod, Top Crimp	2
41	SH408	Hex Hd, 3/8-16 x 1	8	91	0348	Plow, Bottom, C2	1
42	0340	Block, Seal Spring	1	92	0347	Bracket, Plow	1
43	0295	Stripper, Plated, 5/8 x 2 1/4	4	93	0346	Bracket, Plow	1
44	SH616	Hex Hd, 1/2-13 x 2	4	94	1076	Pin, Seal	10
45	1268	Follower, Can, 2-48	1	95	SK204	Soc Hd, 1/4-20 x 1/2	2
46	0148	Clamp, Crimp Rod	1	96	SK106	Socket Head, # 10-32 x 3/4	2
47	PNA35	Nut, Jam, 7/8-14	1	97	11113	Spacer, Clamp, Post	1
48	PWA20	Washer, Lock, 7/8	1	98	SK105	Soc Hd, #10-32 X 5/8	4
49	PW320	Washer, Lock, 5/16	2				
50	PH306	Hex Hd, 5/16-18 x 3/4	2				

CUT OFF

580 INDEX WHEEL & MANDREL

580 INDEX WHEEL & MANDREL PARTS LIST



ITEM	PART NO	DESCRIPTION	QTY	ITEM	PART NO	DESCRIPTION	QTY
1	FC041	Connector, 5/16T x 1/8FP	16	41	PN610	Nut, Hex, 1/2-13	1
2	FC914	Tube Nut, 5/16	20	42	PH617	Hex Hd, 1/2-13 x 2 1/4	1
3	FC924	Sleeve, 5/16	20	43	PH608	Hex Hd, 1/2-13 x 1	6
4	SH616	Hex Hd, 1/2-13 x 2	8	44	0053	Bracket, Idler	1
5	12142	Tube, SS, Upper, C1-3	2	45	BE401	Shaft, Idler, #2	1
6	12244	Tube, SS, Upper, C1-4	2	46	0193	Washer, Thrust	4
7	FC243	Connector, 5/16T x 1/4MP	4	47	BE304	Bearing, Roller, MR-16	2
8	12207	Manifold, Water Mandrel, 3	1	48	1062	Sprocket, Idler, 60B13	2
9	PW420	Washer, Lock, 3/8	10	49	0056	Block, Idler	1
10	SK208	Soc Hd, 1/4-20 x 1	3	50	0309	Cover, Mandrel	8
11	SH408	Hex Hd, 3/8-16 x 1	4	51	0457	Tube, Mandrel, Water	16
12	SW420	Washer, Lock, 3/8	4	52	SL212	Roll Pin, 1/4 x 1 1/2 SST	8
13	SW410	Washer, Flat, 3/8	4	53	SL412	Roll Pin, 3/8 x 1 1/2 SST	8
14	SK618	Soc Hd, 1/2-13 x 2 1/2	8	54	1986	Plate, Mandrel	8
15	SW620	Washer, Lock, 1/2	18	55	1987	Stem, Mandrel, IMP QT.	8
16	SW610	Washer, Flat, 1/2	10	56	SK214	Soc Hd, 1/4-20 x 1 3/4	16
17	0033	Wheel, Mandrel, C1	1	57	1697	Stop, Carton, IMP	16
18	0034	Casting, Wheel Cover	1	58	SF103	Flat Hd, # 10-32 x 3/8	16
19	1713	Key, Red. Output, 1/2x2 3/8	1	59	1701	Slide, Mandrel, QL/TR, Thread	8
20	PK471	Soc Hd, 3/8-16 x 3 1/4	4	60	1702	Slide, Mandrel, QL/TR, Thread	8
21	PW410	Washer, Flat, 3/8	2	61	12143	Tube, SS, Middle, C1	6
22	1147	Casting, Wheel Riser	1	62			
23	SH208	Hex Hd, 1/4-20 x 1	4	63	SH205	Hex Hd, 1/4-20 x 5/8	16
24	SW220	Washer, Lock, 1/4	14	64			
25	SW210	Washer, Flat, 1/4	14	65	SK616	Soc Hd, 1/2-13 x 2	1
26	0693	Block, Crimp Tie	1	66			
27	0692	Spacer, Crimp Tie	1	67			
28	0337	Plate, Crimp Tie	1	68			
29	SH625	Hex Hd, 1/2-13 x 5	2	69	1514	Pad, Mandrel	8
30	DR020	Indexer, Former, #CCM	1	70			
31	PW610	Washer, Flat, 1/2	8	71	FP210	Extender, 1/8FP x 1/4-28	1
32	PW620	Washer, Lock, 1/2	10	72	PW310	Washer, Flat, 5/16	4
33	PH614	Hex Hd, 1/2-13 x 1 3/4	3	73			
34	SP308	Bushing, SK-1 5/8	1	74			
35	SP305	Sprocket, #60SK26	1	75			
36	1716	Key, Indexer Input, 3/8x2	1	76			
37	7789	Block, Idler, IBH	1	77	1473	Shaft, Idler, Drilled	1
38	PH410	Hex Hd, 3/8-16 x 1 1/4	2	78	10306	Block, Brake Pad, Wheel	8
39	0059	Screw, Idler	1	79	SK204	Soc Hd, 1/4-20 x 1/2	16
40	0058	Block, Idler	1	80			

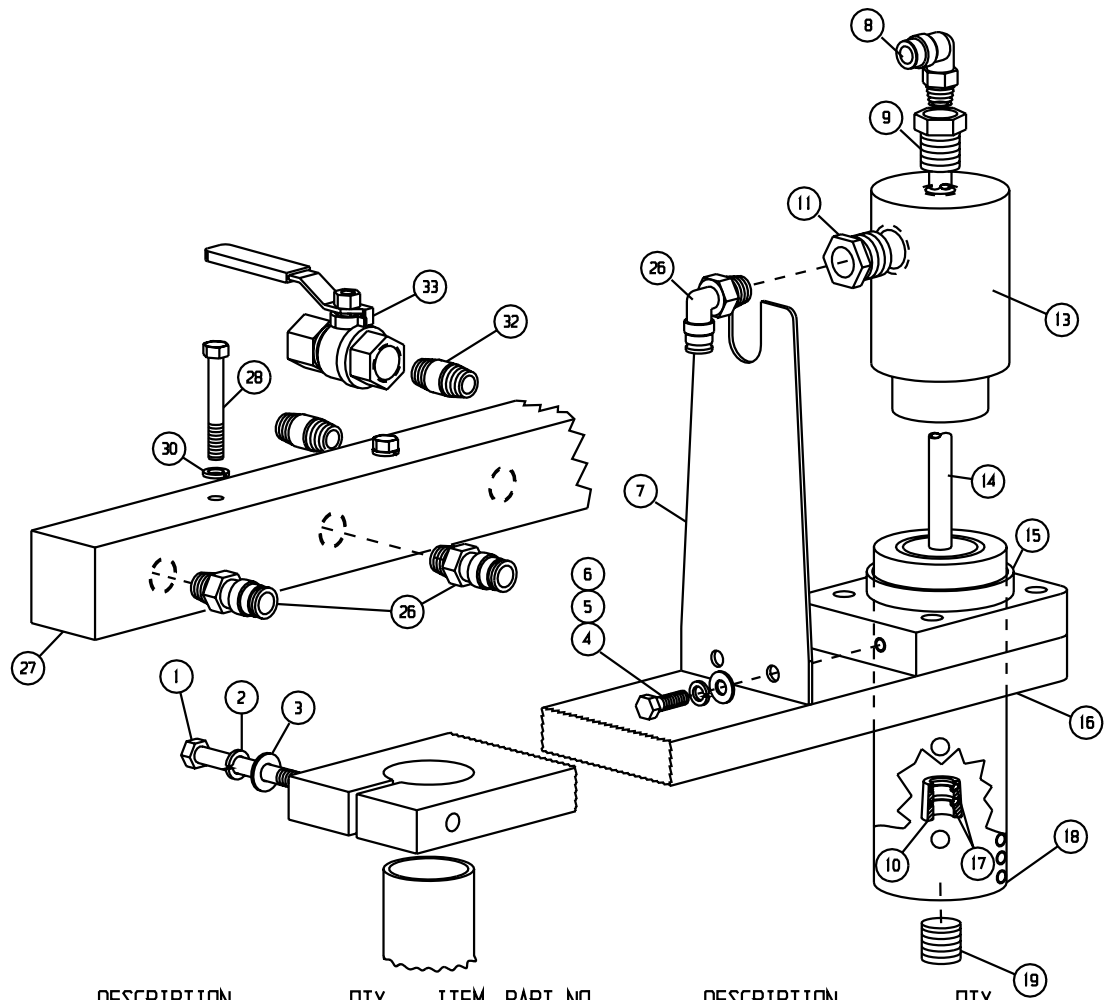
Confidential property of Ninco Corporation.
Use, reproduction, or disclosure without
express written permission is prohibited.
© Copyright Ninco Corporation 1992-2006
All rights reserved.

404031gb
MAN\580\112C1

CUT OFF

12/20/05 lgb: Added level 70 for NiMFLAT 'B' for M#1587
3/11/05 ljt: Correct names - #59,60
40403 lgb: Updated Copyright date
8/26/03 ljt: Break down for master page; multi level
7/11/03 lgb: Copied from #680 & changed to NiMFLAT #12352

WATER VALVE & SUPPORT ARM PARTS LIST



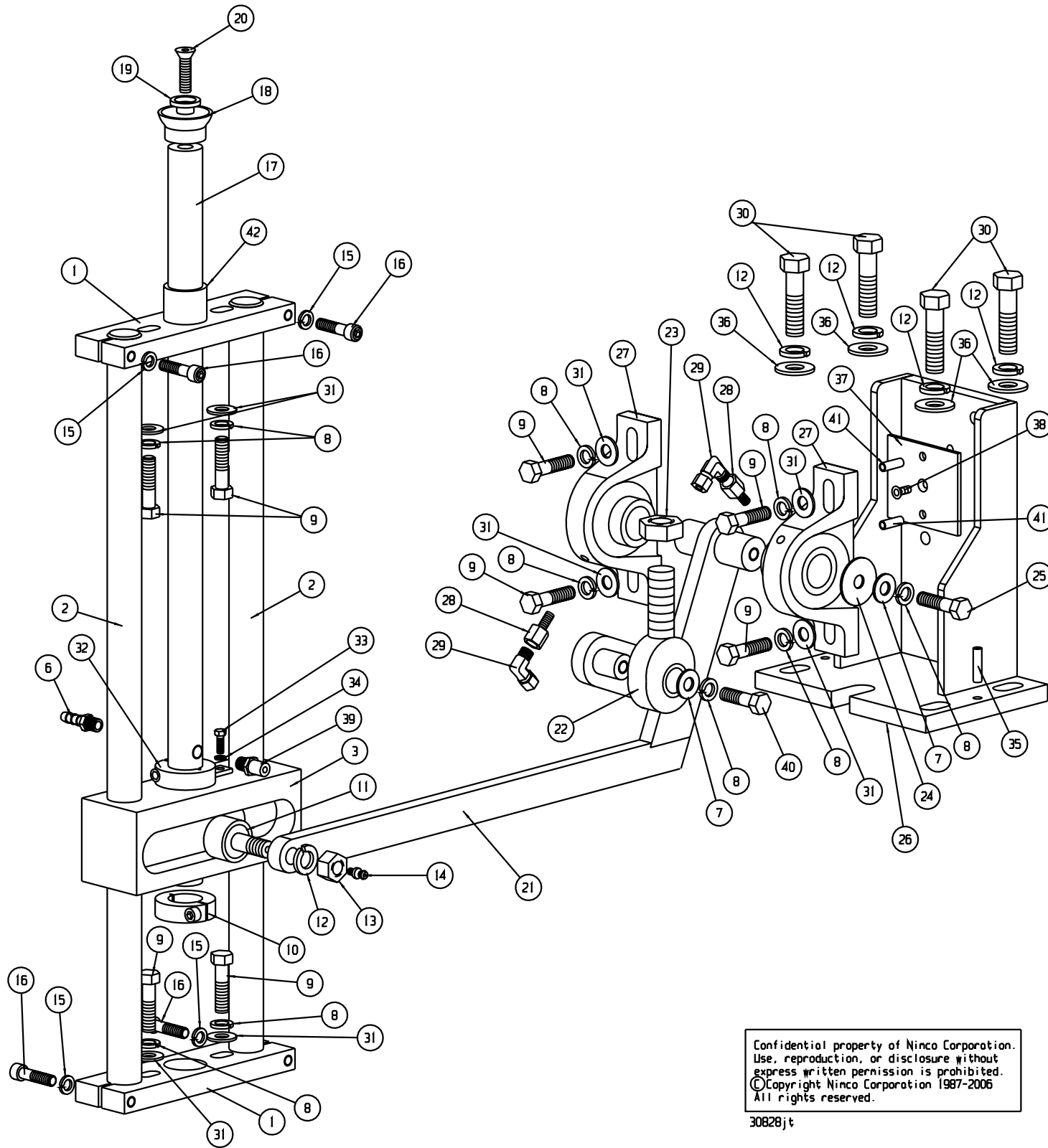
ITEM	PART NO	DESCRIPTION	QTY	ITEM	PART NO	DESCRIPTION	QTY
1	SH422	Hex Hd, 3/8-16 x 3-1/2	1	23			
2	SW410	Washer, Flat, 3/8-13/16 OD	1	24			
3	SW420	Washer, Lock, 3/8	1	25			
4	SH306	Hex Hd, 5/16-18 x 3/4	2	26	FQ256	Connector, 3/8T x 1/2MP	4
5	SW320	Washer, Lock, 5/16	2	27	TCP43	Manifold, Air and Water	1
6	SW310	Washer, Flat, 5/16	2	28	SH317	Hex Hd, 5/16-18 x 2 1/4	3
7	12140	Plate, Anti-Rotate Valve, CISS	1	29			
8	FQ653	Elbow, 3/8T x 1/4MP	1	30	SW320	Washer, Lock, 5/16	3
9	12138	Bushing, Rotary Manifold	1	31			
10	12137	Plug, Rotary Manifold	1	32	FS161	Nipple, SST, 1/2x1 1/8	4
11	FP267	Bushing, 1/2FP x 3/4MP	1	33	VL065	Valve, Ball, 1/2, SST	4
12	FP26A	Bushing, 1/2FP x 1-1/2MP	1				
13	VL075	Valve, Rotary Water, .75	1				
14	12139	Tube, Rotary Manifold	1				
15	BE017	Orlite, 3 x 3-1/4 x 2	1				
16	0071	Arm, Manifold Support	1				
17	SY207	O-Ring, Stem, Throttle Valve	2				
18	12207	Manifold, Mandrel Water, 3	1				
19	PPS27	Pipe Plug, Socket, 3/4	1				
20							
21							
22							

MAN\COMMON\11308

Confidential property of Ninco Corporation. Use, reproduction, or disclosure without express written permission is prohibited. © Copyright Ninco Corporation 1992, 2008 All rights reserved.

580 CARTON OUTFEED PARTS LIST

580 CARTON OUTFEED PARTS LIST



Confidential property of Ninco Corporation.
Use, reproduction, or disclosure without
express written permission is prohibited.
© Copyright Ninco Corporation 1987-2006
All rights reserved.

30828jt

MAN\580\115A2

ITEM	PART NO	DESCRIPTION	QTY	ITEM	PART NO	DESCRIPTION	QTY
1	0167	Plate, Outfeed	2	31	PW310	Washer, Flat, 5/16	8
2	SPK101	Shaft, Outfeed Guide, 24.1	2	32	7933	Clamp, Shaft, 755 Outfeed	1
3	2735	Block, Outfeed	1	33	SH104	Hex Head, 10-32 x 1/2	1
4				34	SW120	Washer, Flat, #10	1
5				35	SL208	Roll Pin, 1/4 x 1, SST	2
6	FB131	Fitting, Barb, 1/4B x 1/8MP	1	36	PW615	Washer, Flat, 1/2 SAE	4
7	PW410	Washer, Flat, 3/8	2	37	25401	Plate, Bearing	1
8	PW420	Washer, Lock, 3/8	10	38	SF103	FHSCS, 10-32 x 3/8	1
9	PH410	Hex Head, 3/8-16 x 1 1/4	8	39	4916	Valve, Vacuum Relief	1
10	CL011	Collar, Clamp, SST, 1"	1	40	PH406	Hex Head, 3/8-16 x 3/4	1
11	BE313	Follower, Cam, 1 1/4	1	41	SL206	Roll Pin, 1/4 x 3/4	2
12	PW620	Washer, Lock, 1/2	5	42	BE216	Duralon, 1 x 1.25 x 2	1
13	PN615	Nut, Hex, 1/2-20	1				
14	FG102	Zerk, 3/16 Drive Straight	1				
15	PW320	Washer, Lock, 5/16	4				
16	PK316	SHCS, 5/16-18 x 2	4				
17	0691	Tube, Outfeed	1				
18	VA053	Cup, Outfeed Vacuum	1				
19	0170	Button, Vacuum Cup	1				
20	12427	Screw, Vacuum, Hex	1				
21	2734	Arm, Lift, Outfeed	1				
22	BE414	Rod End, Male	1				
23	PN935	Nut, Jam, 3/4-16	1				
24	PW610	Washer, Flat, 1/2	1				
25	PH408	Hex Head, 3/8-16 x 1	1				
26	2733	Bracket, Lift Arm	1				
27	2599	Bearing, Pivot	2				
28	FP210	Extender, 1/8FP x 1/4-28	2				
29	-----	Elbow, Grease x 1/8MP	2				
30	PH610	Hex Head, 1/2-13 x 1 1/4	4				

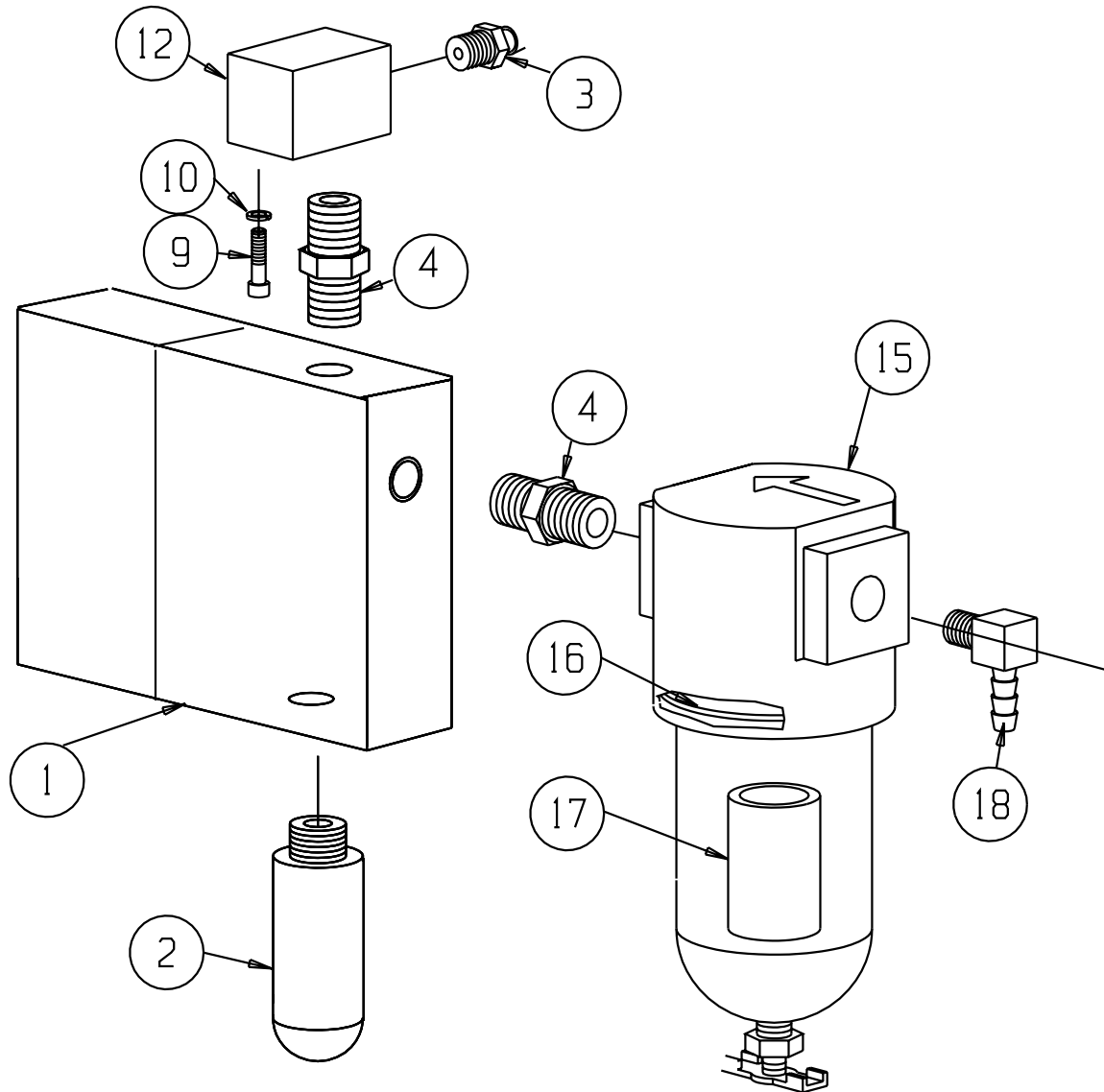
CUT OFF

CUT OFF

CUT OFF

8/28/03 jt: Copied from 580.
7/3/03 lgb: Copied from 5000 & renamed for 580
12/03/02 lgb: Copied from 6500LBF & Renamed for
5000 - Cad had a 5000\15A but lost updated 9/19/91
10/15/02 [jt]: Copied from 650TR for mach #1461

NIMAIR VACUUM SYSTEM PARTS LIST



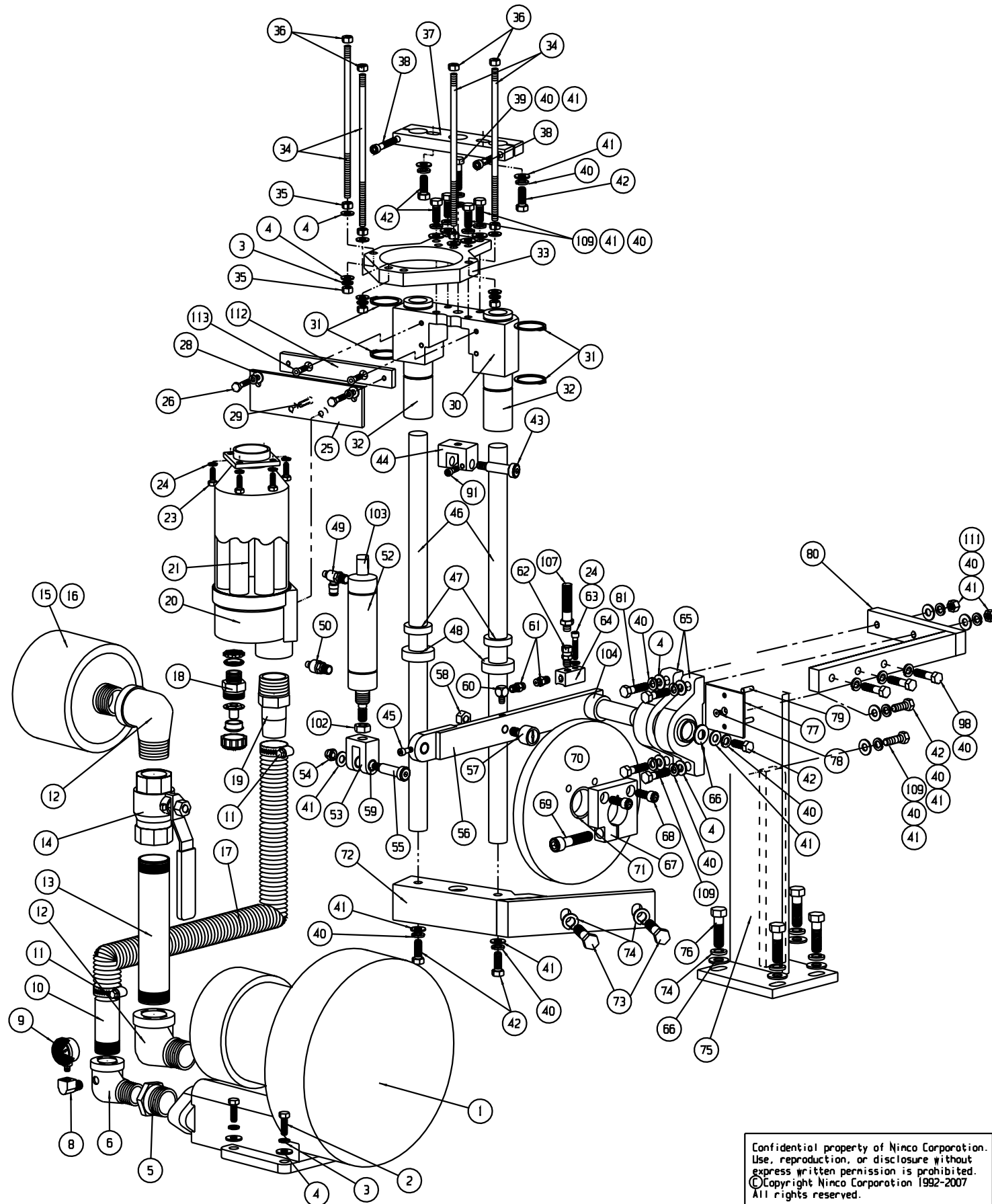
ITEM	PART NO	DESCRIPTION	QTY
1	VA100	Vac Pump,NIMAIR-90H	1
2	VL004	Muffler,Filter,1/4 POREX	1
3	FQ233	Connector,1/4T x 1/4MP	1
4	FP133	Hex Nipple,1/4	1
5			
6			
7			
8			
9	PK212	Socket Hd,1/4-20 X 1 1/2	2
10	PW220	Washer,Lock,1/4	2
11			
12	2876	Manifold,Air	1
13			
14			
15	VA041	Filter,Vacuum-Air	1
16	OR003	O-ring,1/16 x 2 1/4	1
17	VA042	Element,Filter	1
18	FB533	Barb Elbow, 1/4Bx1/4MP	1

Confidential property of Ninco Corporation.
 Use, reproduction, or disclosure without
 express written permission is prohibited.
 ©Copyright Ninco Corporation 2002, 2008
 All rights reserved.

MAN\Comon\118NOR
 80423 jt

580 INDEXING ELECTRIC BOTTOM HEAT

580 INDEXING ELECTRIC BOTTOM HEAT



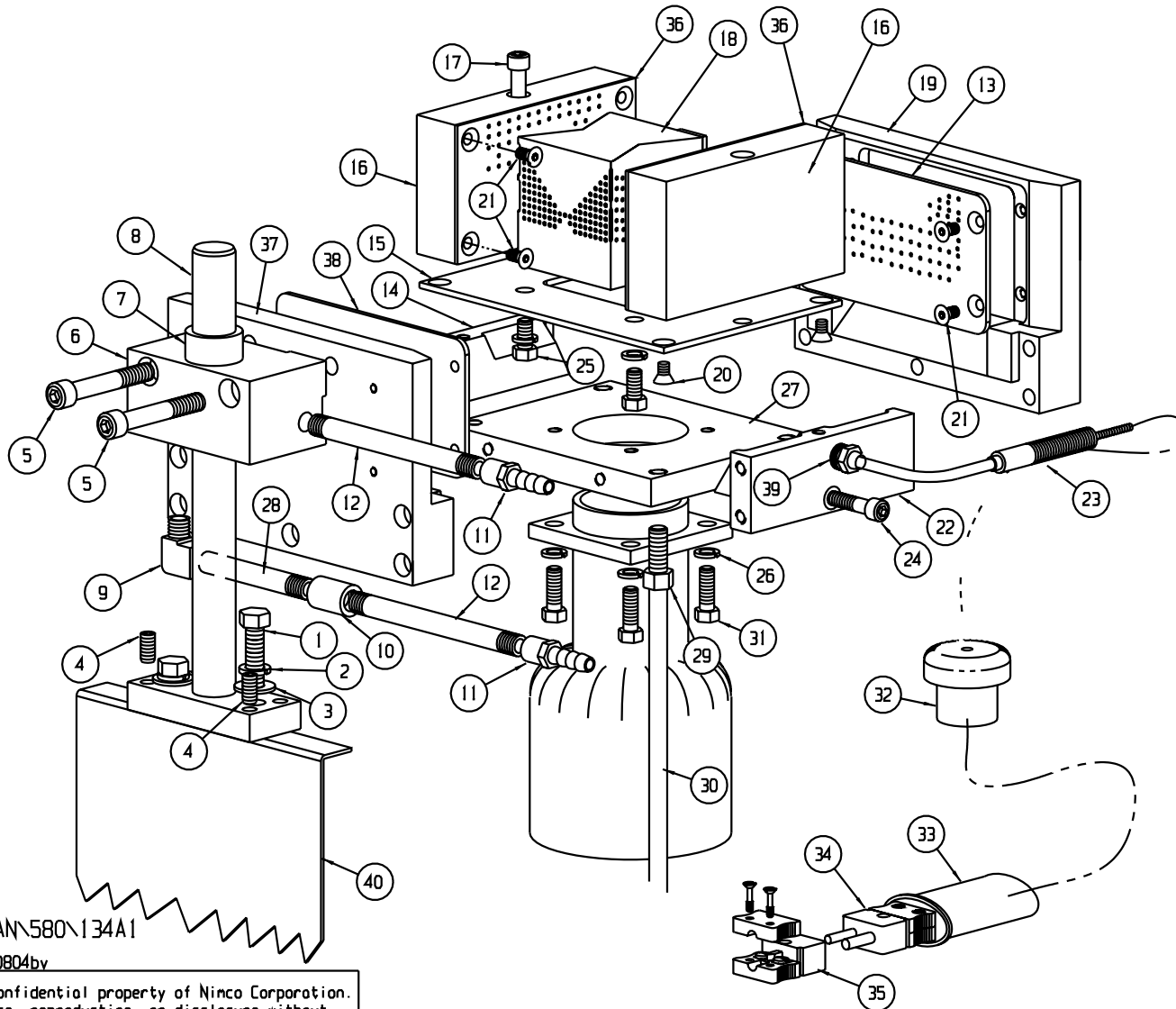
Confidential property of Ninco Corporation.
Use, reproduction, or disclosure without
express written permission is prohibited.
© Copyright Ninco Corporation 1992-2007
All rights reserved.

70814 jt
MAN/580/133B2

ITEM	PART NO	DESCRIPTION	QTY	ITEM	PART NO	DESCRIPTION	QTY
1	BL100	BLOWER, HEATER, 304A	1	58	PN515	NUT, HEX; 7/16-20	1
2	PH308	HEX HEAD, 5/16-18 X 1	2	59	BE018	IRONITE, .5 X .625 X .5	2
3	PW320	WASHER, LOCK, 5/16	8	60	FP610	ST. EL, 1/8FP X 1/4-28	1
4	PW310	WASHER, FLAT, 5/16	18	61	FC221	CONNECTOR, 3/16T X 1/8MP	2
5	FP280	BUSHING, 1" FP X 1 1/4 MP	1	62	FLU211	UNION SWIVEL, 1/8STR	1
6	3803	ST.EL, 1FP X 1MP; 1/4NPT TAP	1	63	SK210	SHCS, SST, 1/4-20 X 1 1/4	1
7				64	6999	BLOCK, GREASE	1
8	FP633	STREET ELBOW, 1/4 FP X 1/4MP	1	65	2599	BEARING, PIVOT	2
9	HE313	GAUGE, PRESSURE	1	66	PW615	WASHER, FLAT, 1/2 SAE	1
10	2698	NIPPLE, TUBING	1	67	3807	CLAMP, CAM	1
11	CL101	CLAMP, HOSE, SST; #20	2	68	PK408	SHCS, 3/8-16 X 1	2
12	FP699	ST.EL, 1/4FP X 1 1/4MP	2	69	PK617	SHCS, 1/2-13 X 2 1/4	1
13	FP192	NIPPLE, GALV; 1 1/4" X 8"	1	70	3950	CAM, HEATER LIFT	1
14	VL051	VALVE, BALL; 1 1/4 NPT	1	71	BE025	BEARING, OILITE; 1.5 X 1.625 X .75	1
15	BL052	FILTER, BLOWER, AIR; 1 1/4	1	72	3818	BRACKET, BOTTOM HEAT	1
16	BL053	ELEMENT, BLOWER, FILTER	1	73	PH618	HEX HEAD, 1/2-13 X 2 1/2	2
17	TU075	TUBING, RIBBED, 1 1/4	-	74	PW620	WASHER, LOCK, 1/2	6
18				75	3910	BRACKET, LIFT ARM, BTM HEATER	1
19	4998	CONNECTOR, 1 1/4MP X 1 1/4	1	76	PH610	HEX HEAD, 1/2-13 X 1 1/4	4
20	11364	HEATER, ELECTRIC, BTM, 37X-2	1	77	25401	PLATE, BEARING	1
21	HE381	ELEMENT, HEATER, MAX, 220V	1	78	SF103	FHSCS, 10-32 X 3/8	1
-	HE382	ELEMENT, HEATER, MAX, 380V	1	79	SL206	ROLL PIN, 1/4 X 3/4 SST	2
-	HE383	ELEMENT, HEATER, MAX, 480V	1	80	11082	BRACKET, STABILIZER, IBH, C2SS	1
22				81	PH418	HEX HEAD, 3/8-16 X 2 1/2	2
23	SH206	HEX HEAD, 1/4-20 X 3/4	4	82			
24	SW220	WASHER, LOCK, 1/4	4	83			
25	13475	PLATE, HEATER MOUNT, BTM-MAX	1	84			
26	SH210	HEX HEAD, 1/4-20 X 1 1/4	2	85			
27				86			
28	PW210	WASHER, FLAT, 1/4	2	87			
29	SF206	FLT HD, 1/4-20 X 3/4	2	88			
30	3974	BLOCK, HEATER SLIDE	1	89	FQ233	CONNECTOR, 1/4T X 1/4MP	1
31	SG019	RING, RETAINING	4	90			
32	3916	BEARING, SHAFT GUIDE	2	91	PK204	SHCS, 1/4-20 X 1/2	1
33	3947	CLAMP, MOVEABLE, EBH	1	92			
34	2621	ROD, OVEN SUPPORT	4	93			
35	PN310	NUT, HEX, 5/16-18	8	94			
36	SN310	NUT, HEX, SST, 5/16-18	4	95			
37	0167	PLATE, OUTFEED	1	96			
38	PK316	SHCS, 5/16-18 X 2	2	97			
39	PH414	HEX HEAD, 3/8-16 X 1 3/4	1	98	PH412	HEX HEAD, 3/8-16 X 1 1/2	3
40	PW420	WASHER, LOCK, 3/8	18	99			
41	PW410	WASHER, FLAT, 3/8	13	100			
42	PH408	HEX HEAD, 3/8-16 X 1	12	101			
43	3921	BOLT, PIVOT	1	102	PN635	NUT, JAM, 1/2-20	1
44	3914	CLEVIS, CYLINDER	1	103	BE004	BEARING, OILITE, .5 X .625 X .75	1
45	PK206	SHCS, 1/4-20 X 3/4	1	104	3943	SPACER, BEARING	1
46	2605	SHAFT, GUIDE, ELEC. HEAT	2	105			
47	3945	BUMPER, HEATER LIFT	2	106	PLU020	TUBING, 3/16, NYLON	1
48	CL011	COLLAR, CLAMP, SST, 1"	2	107	1901	HOSE, GREASE, 11	1
49	CM133	VALVE, FLOW CONTROL, 1/4Mx1/4T	1	108	PW610	WASHER, FLAT, 1/2	4
50	CM134	VALVE, FLOW MUFFLER, 1/4M	1	109	PH410	HEX HEAD, 3/8-16 X 1 1/4	10
51				110			
52	3995	CYLINDER, AIR, BTM HEATER	1	111	PN410	NUT, HEX, 3/8-16	2
53	3961	CLEVIS, HEATER CYLINDER, 1/2	1	112	13473	PLATE, HEATER ADAPTER, BTM-GAL	1
54	PN440	NUT, JAM STOP; 3/8-16	1	113	SF205	FLT HD, 1/4-20 X 5/8	2
55	0279	STRIPPER, PLATED, 1/2 X 1 1/2	1				
56	3877	ARM, LIFT, HEATER	1				
57	5472	FOLLOWER, CAM, 1, GROOVE	1				

CUT OFF

580 INDEXING ELECTRIC BOTTOM HEAT



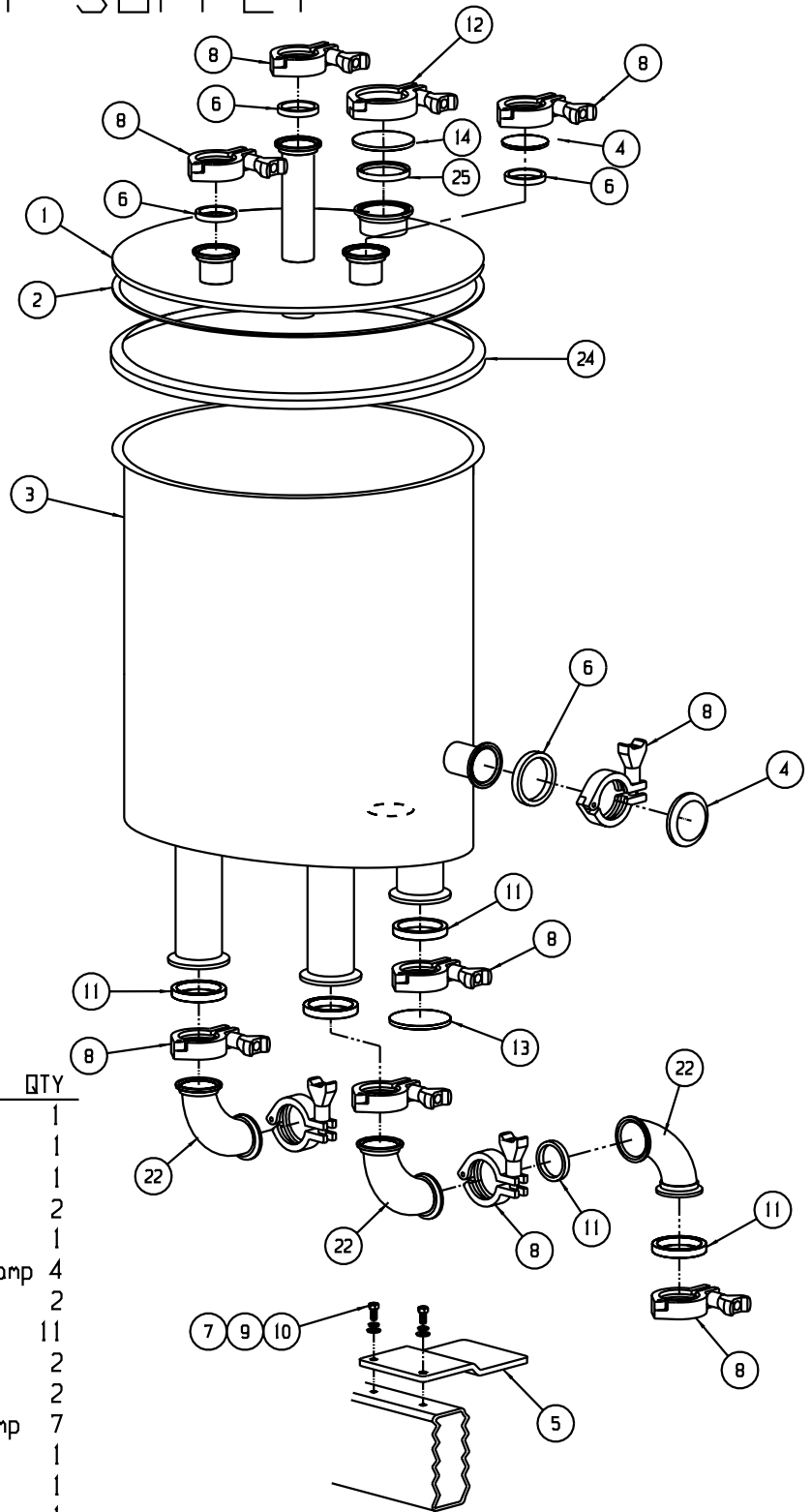
ITEM	PART NO	DESCRIPTION	QTY
1	SH314F	Hex Hd, 5/16-18 x 1 3/4	2
2	SW320	Washer, Lock, 5/16	2
3	SW310	Washer, Flat, 5/16	2
4	SC203	Set Screw, 1/4-20 x 3/8	4
5	SK316	Soc Hd, 5/16-18 x 2	2
6	3942	Block, Stabilizer	1
7	BE019	Oilite, .75 x 1 x 1.5	1
8	3941	Stabilizer, IBH	1
9	FP611	Street El, 1/8FP x 1/8MP	1
10	FP011	Coupling, Galv. 1/8	1
11	FB231	Barb Ftg, 1/4B x 1/8FP	2
12	1443	Tube, Mandrel, Water, 4.0	2
13	6896	Grate, Side, Lt, 5th	1
14	3811A	Block, End	1
15	6898	Plate, IBH, Index, LT, QT	1
16	REX23	Manifold, Side	2
17	SK219	Soc Hd, 1/4-20 x 2 3/4	2
18	6899	Grate, Center, IBH	1
19	2622A	Plate, Side	1
20	SF203	Flat Hd, 1/4-20 x 3/8	4
21	SF103	Flat Hd, 10-32 x 3/8	16
22	3811B	Block, End	1
23	CN253	Probe, Sensing, Controller	1
24	SK208	Soc Hd, 1/4-20 x 1	14
25	SH204	Hex Hd, 1/4-20 x 1/2	4
26	SW220	Washer, Lock, 1/4	8
27	2622B	Plate, Bottom	1
28	1444	Tube, Mandrel, Water, 2.5	1
29	SN310	Nut, Hex, 5/16-18	4
30	2621	Rod, Oven Support	4
31	SH206	Hex Hd, 1/4-20 x 3/4	4
32	2601	Plug, Probe	1
33	CN263	Boot, Weatherproof, Probe Jack	1
34	CN261	Plug, Sensing Probe	1
35	CN262	Jack, Sensing Probe	1
36	6897	Grate, Side	2
37	3811C	Plate, Side	1
38	3970	Grate, Side, QT	1
39	11188	Clamp, Probe Sensing	1
40	13106	Shield, Bottom Heat	1

MAN 580-134A1

080804bv

Confidential property of Ninco Corporation.
Use, reproduction, or disclosure without
express written permission is prohibited.
© Copyright Ninco Corporation 1992-2008
All rights reserved.

580 PRODUCT SUPPLY TANK



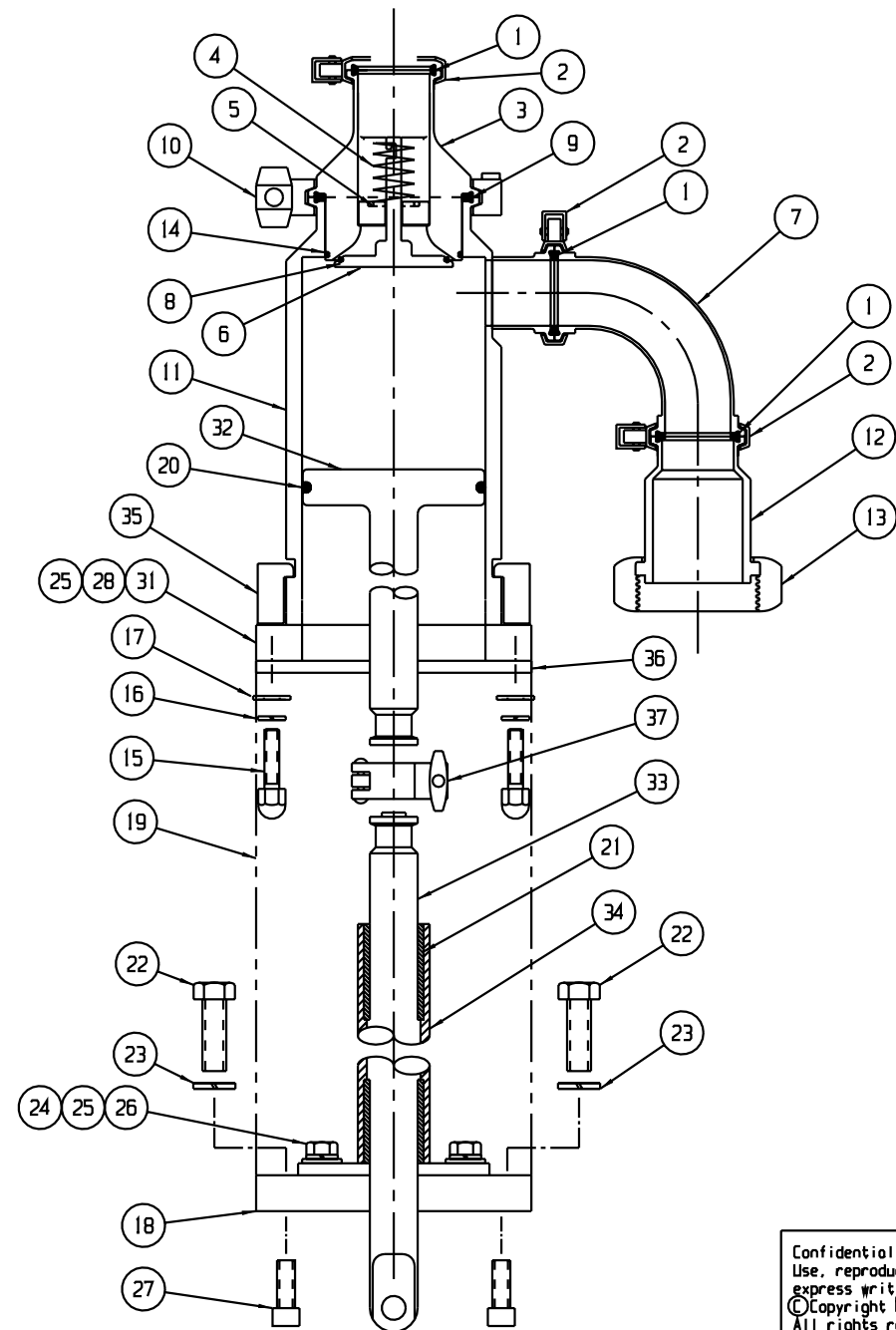
ITEM	PART NO	DESCRIPTION	QTY
1	12167	Cover, Fill Tank, APCx3	1
2	10138	Gasket, Tank Cover	1
3	12166	Tank, Fill-2x7, APC IN	1
4	SY001	Cap, Clamp, 1 1/2	2
5	11621	Bracket, Tank	1
6	SY013	Gasket, 1 1/2 Sanitary Clamp	4
7	SH206	Hex Head, 1/4-20 x 3/4	2
8	SY007	Clamp, 1 1/2	11
9	SW210	Washer, Flat, 1/4	2
10	SW220	Washer, Lock, 1/4	2
11	SY013	Gasket, 1 1/2 Sanitary Clamp	7
12	SY018	Clamp, 2	1
13	SY001	Cap, Clamp, 1 1/2	1
14	SY019	Cap, Clamp, 2	1
15			
16			
17			
18			
19			
20			
21			
22	SY003	Elbow, 1 1/2 Clamp	4
23			
24	SY099	Clamp, Tank Cover	1
25	SY020	Gasket, 2 Sanitary Clamp	1

MAN\580\150A1

Confidential property of Ninco Corporation.
Use, reproduction, or disclosure without
express written permission is prohibited.
© Copyright Ninco Corporation 1992-2006
All rights reserved.

580 FILLER SECTION TOP HALF

580 FILLER SECTION TOP HALF PARTS LIST



ITEM	PART NO	DESCRIPTION	QTY	ITEM	PART NO	DESCRIPTION	QTY
1	SY015	Gasket, 1 1/2 Tri	6	31	13371	Plate,Fill,Acro-2x4.5, Upper	1
2	SY007	Clamp,1 1/2	6	32	12456	Piston, Fill	2
3	5886	Valve Seat,Inlet	2	33	12457	Shaft, Fill	2
4	2469	Spring,Inlet Valve	2	34	5445	Housing, Bearing, 1.2 x 8	2
5	2467	Spider,Inlet	2	35	12455	Clamp, Fill Bowl	4
6	2468	Spider,Inlet	2	36	12454	Spacer, Fill Plate	2
7	SY080	Elbow,1 1/2 Clamp,Tri	2	37	SY084	Clamp	2
8	OR111	O-Ring,Inlet & Nozzle, HF	2	38			
9	SY041	Gasket,3 Sanitary Clamp	2	39			
10	SY008	Clamp,3	2	40			
11	SPK137T	Bowl,Fill Metering,Tri	2	41			
12	5820T	Adapter,Outlet Valve,Nozzle	2				
13	SY042	Nut,Hex Union,2	2				
14	OR013	O-Ring	2				
15	BLD82	Bolt,Fill Bowl Lock	4				
16	SW320	Washer,Lock,5/16	4				
17	SW310	Washer,Flat,5/16	4				
18	13370	Plate, Fill, Acro-2x4.5, Lower	1				
19	10521	Plate, Fill, 380 Side	2				
20	OR128	O-Ring, Piston, #334, HF	2				
21	BE216	Duralon, 1 x 1 1/4 x 2	4				
22	SH612	Hex Head, 1/2-13 x 1/1/2	3				
23	SW620	Washer, Lock, 1/2	3				
24	SH408	Hex Head, 3/8-16 x 1	4				
25	SW420	Washer, Lock, 3/8	8				
26	SW410	Washer, Flat, 3/8	4				
27	SK408	Socket Head, 3/8-16 x 1	4				
28	SH412	Hex Head, 3/8-16 x 1 1/2	4				
29	--	--	-				
30	--	--	-				

NOTE:
PARTS AND QUANTITIES LISTED ARE FOR
COMPLETE 3 STATION FILL SYSTEM.

Confidential property of Ninco Corporation.
Use, reproduction, or disclosure without
express written permission is prohibited.
©Copyright Ninco Corporation 1992, 2008
All rights reserved.

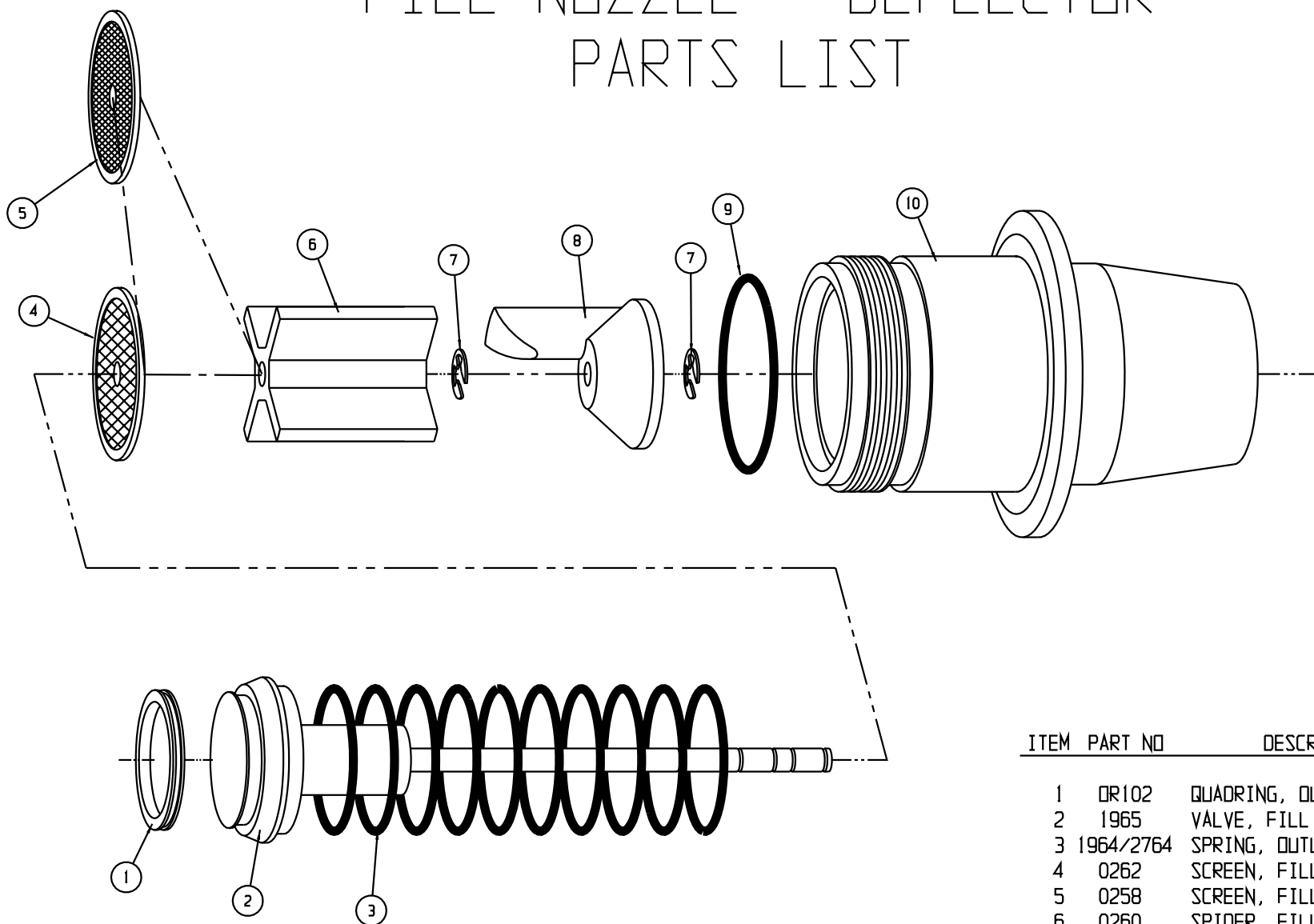
080724jhs
MAN\580\152C2

CUT OFF

CUT OFF

CUT OFF

FILL NOZZLE - DEFLECTOR PARTS LIST

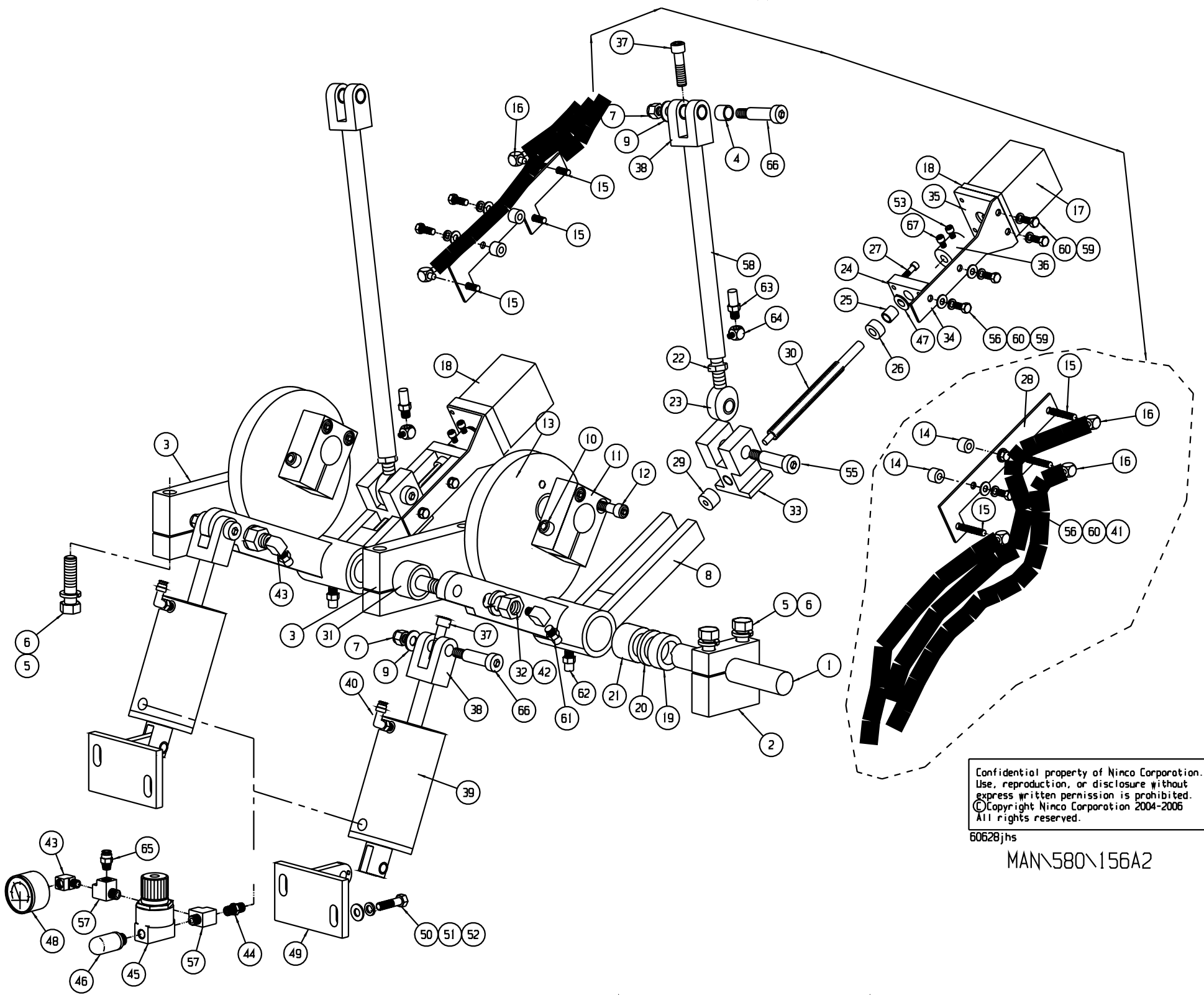


ITEM	PART NO	DESCRIPTION	QTY
1	OR102	QUADRING, OUTLET VALVE	1
2	1965	VALVE, FILL STEM,C1B	1
3	1964/2764	SPRING, OUTLET VALVE	1
4	0262	SCREEN, FILL, COARSE	1
5	0258	SCREEN, FILL, FINE	1
6	0260	SPIDER, FILL	1
7	SG018	CLIP, SST RETAINING	2
8	392	DEFLECTOR, FILL,C2	1
9	OR101	O-RING, INLET AND NOZZLE	1
10	259	NOZZLE, OUTLET VALVE,C1	1

MAN\580\153B1

Confidential property of Ninco Corporation.
Use, reproduction, or disclosure without
express written permission is prohibited.
© Copyright Ninco Corporation 1992, 2006
All rights reserved.

580 FILL SECTION LOWER HALF



Confidential property of Ninco Corporation.
Use, reproduction, or disclosure without
express written permission is prohibited.
© Copyright Ninco Corporation 2004-2006
All rights reserved.

60628jhs

MAN\580\156A2

580 FILL SECTION LOWER HALF

ITEM	PART NO	DESCRIPTION	QTY	ITEM	PART NO	DESCRIPTION	QTY
1	11122	Shaft, Pivot	1	35	12094	Bracket, Mount, Fill Adjust	2
2	11121	Block, Shaft, Pivot	1	36	11129	Coupling, 1/4 x 3/8, Set	2
3	11120	Block, Shaft, Pivot	2	37	SK458	Soc Hd, 3/8-24 x 1	4
4	Be018	Ironite, .5x.625x.5	8	38	BLD127	Clevis, Fill Cylinder	4
5	PH622	Hex Hd, 1/2-13 x 3 1/2	6	39	CY065	Cylinder, Air, 1 5/8 x 4	2
6	PW620	Washer, Lock, 1/2	6	40	FQ651	Elbow, 3/8T x 1/8MP	2
7	PN440	Nut, Jam, 3/8-16	4	41	SH208	Hex Hd, 1/4-20 x 1	4
8	11126	Lever, Fill, Acra	2	42	PW820	Washer, Lock, 5/8	2
9	PW410	Washer, Flat, 3/8	4	43	FP611	Str Elbow, 1/8FP x 1/8MP	2
10	PK616	Soc Hd, 1/2-13 x 2	2	44	FP111	Hex Nipple, 1/8	2
11	0573	Clamp, Cam, 1.2	2	45	VL225	Valve, Press.Relief, 1/8 NPT	2
12	PK414	Soc Hd, 3/8-16 x 1 3/4	4	46	VL005	Muffler, Filter, 1/8	2
13	5812	Cam, Fill, 4 Fill	2	47	BW401	Washer, Flat, 3/8 Bronze	2
14	4704	Spacer, Track	4	48	CM032	Guage, Regulator, 1/8	2
15	CN664	Switch, Proximity, 8mm	6	49	11132	Bracket, Cylinder Mt	2
16	CN1320	Cable, Pico, #1840	6	50	PH408	Hex Hd, 3/8-16 x 1	4
17	MT025	Gearmotor, Reversing, 230vac	2	51	PW410	Washer, Flat, 3/8	4
18	MT025A	Gearmotor, Gearhead, 36:1	2	52	PW420	Washer, Flat, 3/8	4
19	CL011	Collar, Clamp, 1, SST	4	53	SK103	Soc Hd, #10-32 x 3/8	2
20	11128	Washer, Thrust	4	54	FQ653	Elbow, 3/8T x 1/4MP	2
21	BE304	Bearing, Roller, MR-16	4	55	11530	Stripper, 1/2 x 1 1/2	2
22	PN635	Nut, Jam, 1/2-20	2	56	SW210	Washer, Flat, 1/4	8
23	BE416	Rod End, Male, .5 Hardened	2	57	FP811	Street Tee, 1/8MP x FP x FP	2
24	11125	Block, Fill Lever	2	58	11127	Link, Fill, 4"	2
25	BE210	Duralon, .375 x .5 x .5	2	59	SH204	Hex Hd, 1/4-20 x 1/2	8
26	CL001	Collar, Shaft, 3/8	2	60	SW220	Washer, Lock, 1/4	12
27	SK106	Soc Hd, #10-32 x 3/4	4	61	1902	Hose, Grease, 12"	2
28	11912	Plate, Proximity Mounting	2	62	1898	Hose, Grease, 8 1/2"	2
29	BE340	Roller, Cam, 3/4	2	63	1900	Hose, Grease, 10 1/2"	2
30	12477	Worm, Fill, Micro-20	2	64	FP610	Elbow, 1/8FP x 1/4-28	2
31	1269	Follower, Cam, 1 1/2-30	2	65	FQ231	Connector, 1/4T x 1/8 MP	2
32	PN815	Nut, Hex, 5/8-18	2	66	279	Stripper, 1/2 x 1 1/2	4
33	12478	Nut, Worm, Acra-20	2	67	SK105	Soc Hd, #10-32 x 5/8	2
34	12093	Bracket, Mount, Fill Adjust	2				

CUT OFF

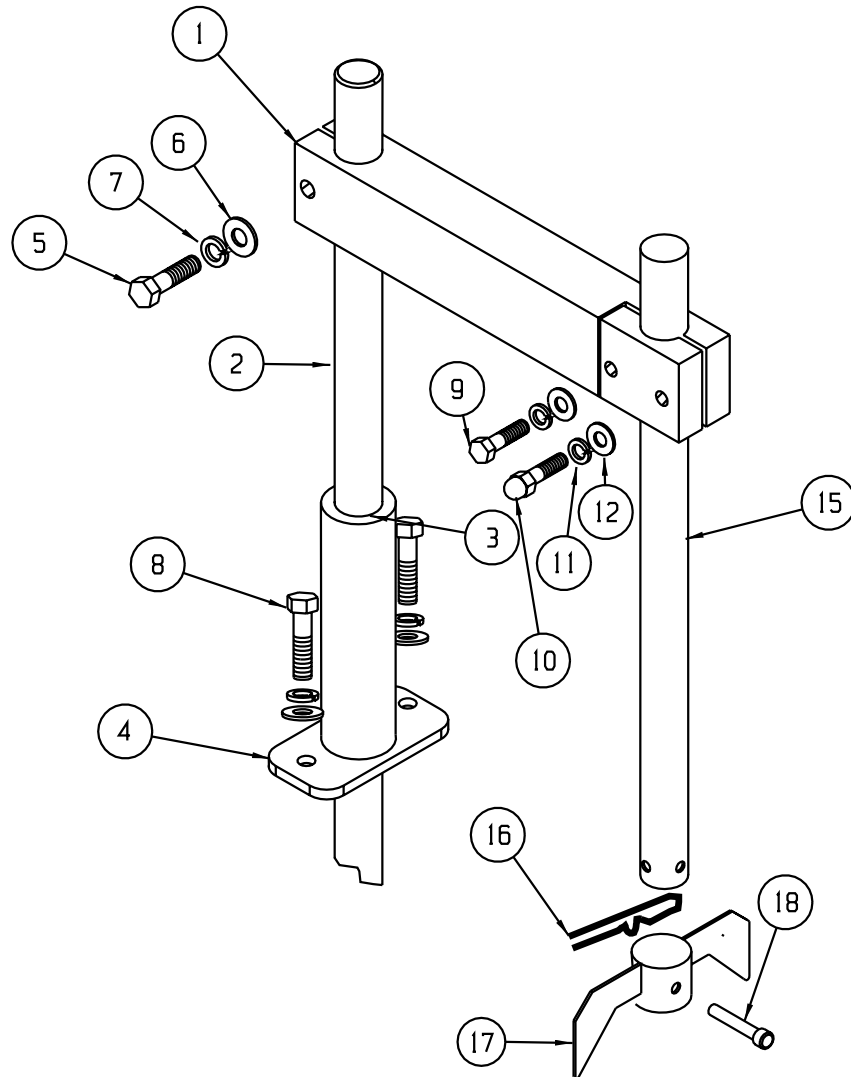
7/3/03 lgb: Copied from 380QL for 580
1/26/03 lgb: Corrected It #11-366 to 573 & red out It#14
due to 1 1/4" line shaft; Corrected It #34, #35, #41, #59, #60;
Added Spacer for It #14; Review P Relief Valve
Found It #55 & #66 in Error & MAN-156D never used in
MAN-156E & F
Copied from 156F for Machine #1511 Changes fill adjust
motor mount to square bracket for new motor

CUT OFF

6/28/06 jhs: Item #47 (BW410) was (SW120) changed Item # to match 380QLBCP and 680;
SW120 removed from 680 and 380QLBCP per lgb changes; all hardware changes made to
reflect current 2 Fill; Added pictorial of plates with cables and hardware per jt
1/26/04 lgb: Add Guage to Regulator - Ref error 380QL
1/21/04 [btv] Added BW410, Changed 11123 to 12477 and 11124 to 12478 (Fine thread)

CUT OFF

580 DEFOAMER UPPER HALF PARTS LIST



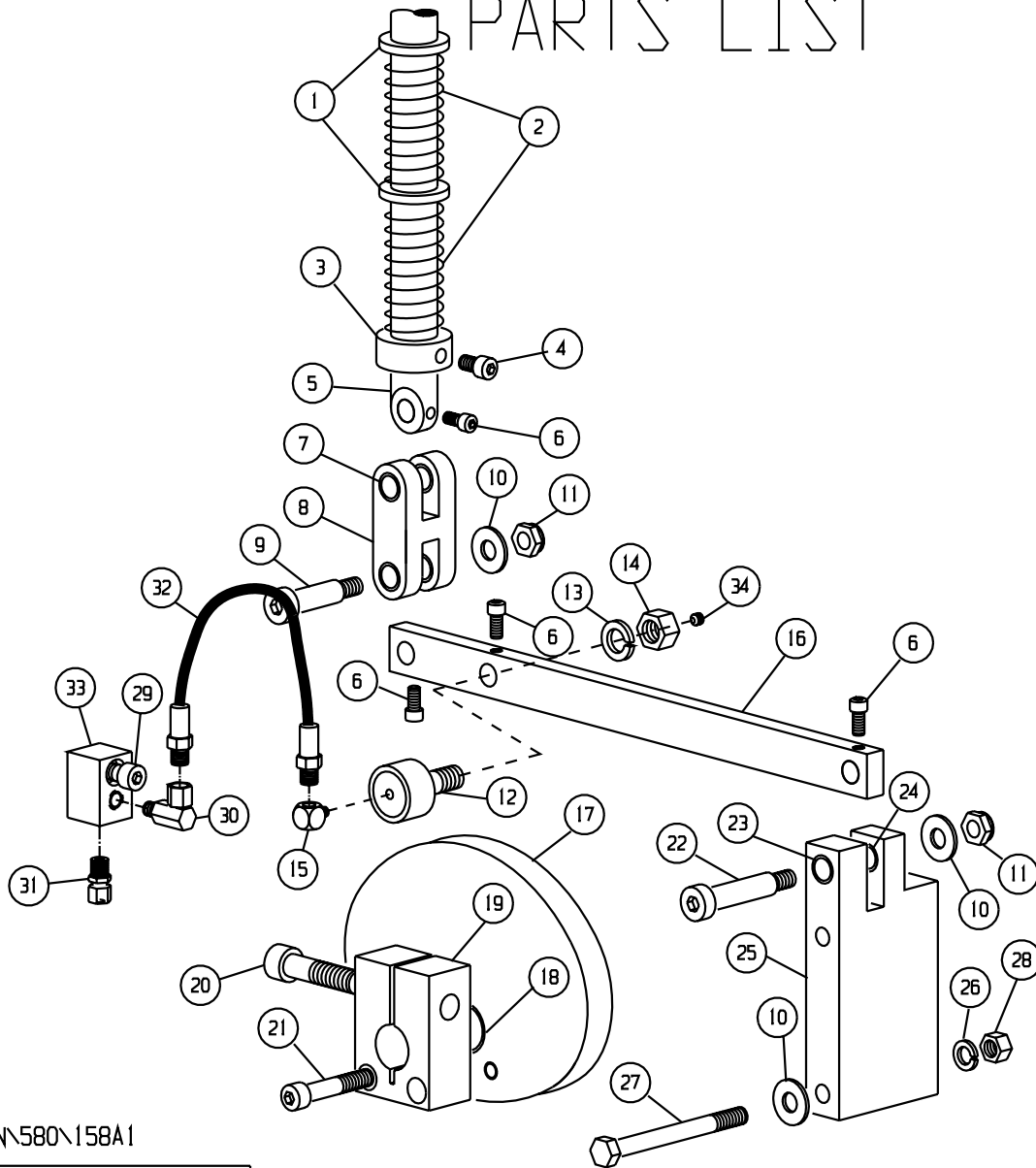
ITEM	PART NO	DESCRIPTION	QTY
1	3790	Arm, Defoamer Clamp	1
2	2481	Shaft, Defoamer, No-Fill	1
3	BE213	Duralon, 1 x 1.25 x 2	2
4	5445	Housing, Bearing	1
5	SH412	Hex Hd, 3/8-16 x 1 1/2	1
6	SW410	Washer, Flat, 3/8	3
7	SW420	Washer, Lock, 3/8	3
8	SH408	Hex Hd, 3/8-16 x 1	2
9	SH312	Hex Hd, 5/16-18 x 1 1/2	1
10	0067	Bolt, Lock 5/16 x 1.5	1
11	SW320	Washer, Lock, 5/16	2
12	SW310	Washer, Flat, 5/16	2
13			
14			
15	2477	Tube, Defoamer, No-Fill	1
16	SG024	Clip, Hair Pin	1
17	0390	Recrimper	1
18	0202	Pin, Defoamer Tube	1

MAN\580\157A1

Confidential property of Ninco Corporation.
Use, reproduction, or disclosure without
express written permission is prohibited.
© Copyright Ninco Corporation 1992, 2006
All rights reserved.

580 DEFOAMER LOWER HALF

PARTS LIST

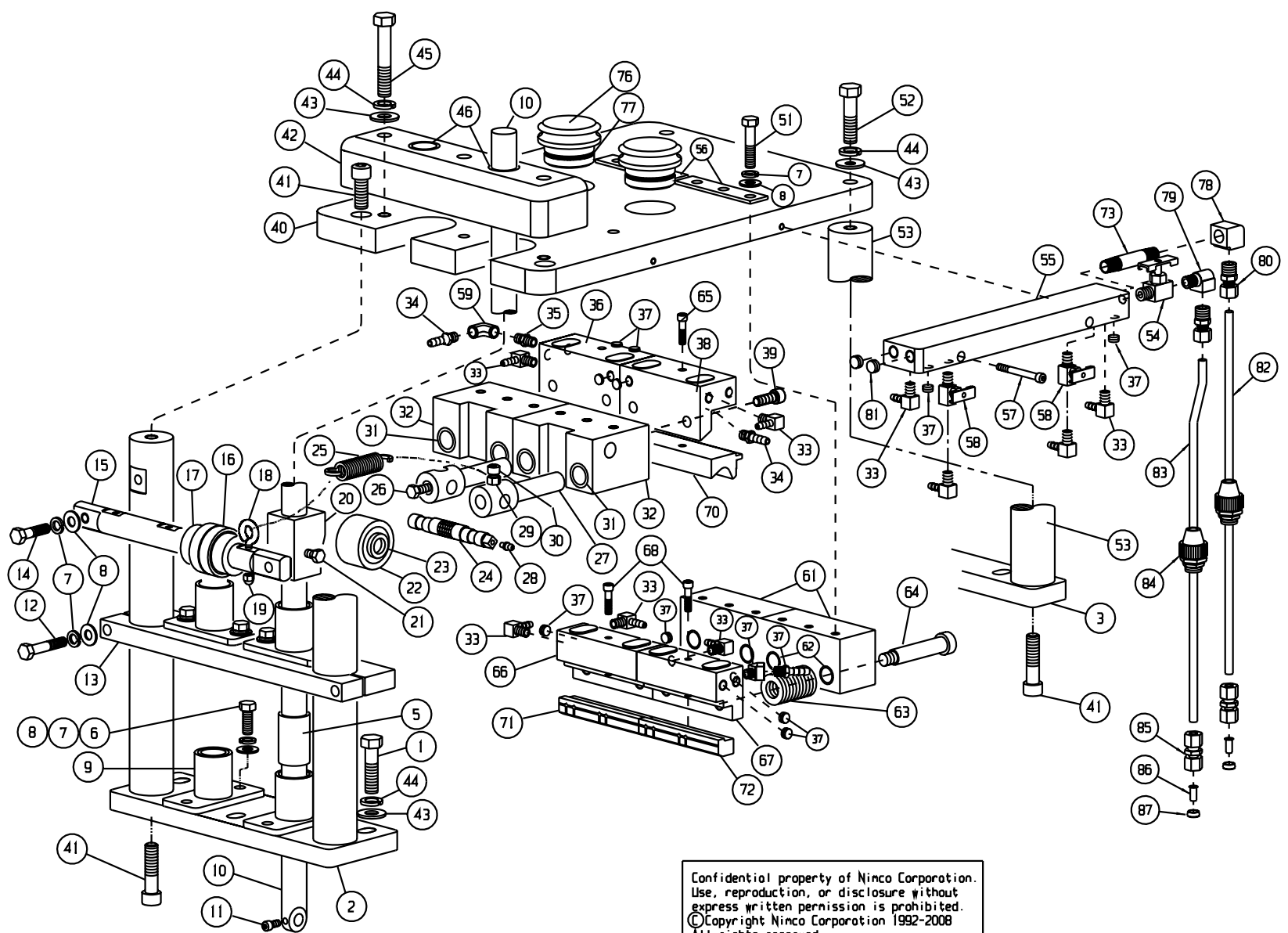


ITEM	PART NO	DESCRIPTION	QTY
1	0193	Washer, Thrust	2
2	DR501	Spring, VSP Inner	2
3	CL007	Collar, Shaft, 1, PLTD	1
4	PK304	Soc Hd, 5/16-18 x 1/2	1
5	2481	Shaft, Defoamer	1
6	PK204	Soc Hd, 1/4-20 x 1/2	4
7	BE018	Ironite, 1/2x5/8x1/2	4
8	0220	Clevis	1
9	0279	Stripper, PLTD, 1/2 x 1 1/2	2
10	PW410	Washer, Flat, 3/8	5
11	PN440	Nut, Jam, 3/8-16	3
12	6525	Follower, Cam, 1 1/4, Tapped	1
13	PW620	Washer, Lock, 1/2	1
14	PN615	Nut, Hex, 1/2-20	1
15	FP610	Str Elbow, 1/8F x 1/4-28	1
16	0395	Lever, Defoamer	1
17	0589	Cam, Defoamer, C2x1.2	1
18	BE015	Dilite, 1.25 x 1.5 x 1	1
19	0573	Clamp, Cam. 1.2	1
20	PK616	Soc HD, 1/2-13 x 2	1
21	PK414	Soc Hd, 3/8-16 x 1 3/4	2
22	0280	Stripper, PLTD, 1/2 x 2	1
23	BE004	Dilite, 1/2 x 5/8 x 3/4	1
24	BE003	Dilite, 1/2 x 5/8 x 1/2	1
25	0396	Bracket, Lever Pivot	1
26	PW420	Washer, Lock, 3/8	2
27	PH423	Hex Hd, 3/8-16 x 4	2
28	PN410	Nut, Hex, 3/8-16	2
29	PK208	Soc Hd, 1/4-20 x 1	1
30	FU611	Union Swivel, 1/8 x 90°	1
31		Connector, Grease	1
32	1897	Hose, Grease, 7 1/2	1
33	0195	Block, Grease, 1 Hole x 90	1
34	SC202	Set Screw, 1/4-20 x 1/4	1

MAN\580\158A1

Confidential property of Ninco Corporation.
Use, reproduction, or disclosure without
express written permission is prohibited.
© Copyright Ninco Corporation 1992, 2006
All rights reserved.

580 TOP SEAL TOP HALF



MAN580\165B20

580 TOP SEAL TOP HALF PARTS LIST

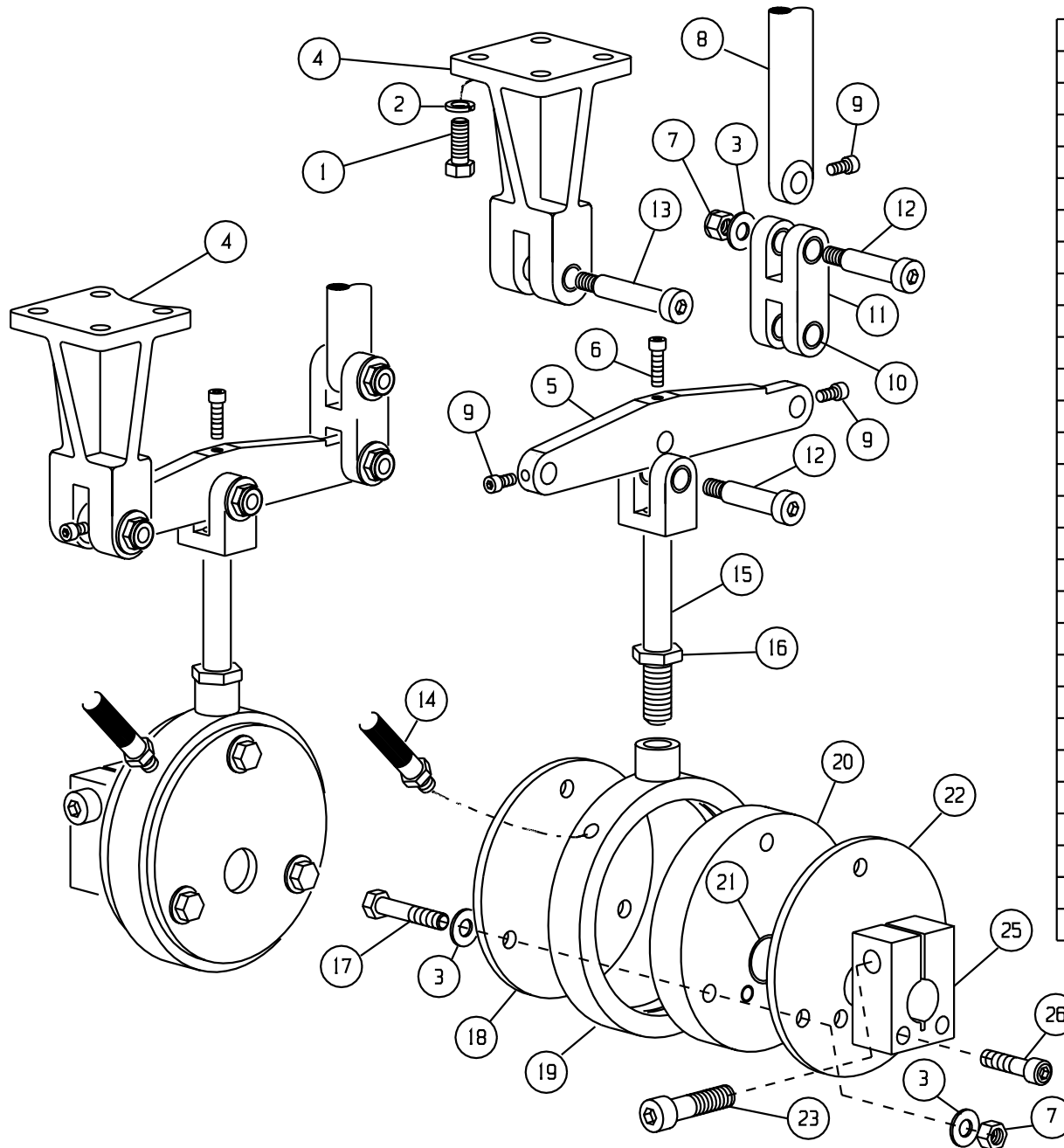
ITEM	PART NO	DESCRIPTION	QTY	ITEM	PART NO	DESCRIPTION	QTY	ITEM	PART NO	DESCRIPTION	QTY
1	SH614	Hex Hd, 1/2-13 x 1-3/4	5	30	SK306	Soc Hd, 5/16-18 x 3/4	4	61	4337	Block, Seal Spring, C2-2"	2
2	8569	Base, Post, Top Seal, Rear	1	31	BE214	Duralon, 3/4 x 1 x 1-1/2	8	62	BE006	Oilite, 5/8 x 3/4 x 1	4
3	8570	Base, Post, Top Seal, Front	1	32	9288	Block, Plunger Bearing, CP	2	63	0283	Spring, Seal	4
4	8572	Post, Seal Plate, Rear	2	33	FB531	Barb Elb, 1/4B x 1/8MP	10	64	0894	Bolt, Center Seal Spring, 3.7	4
5	BE216	Duralon, 1 x 1-1/4 x 2	4	34	FB131	Barb FTG, 1/4B x 1/8MP	3	65	SK210	Soc Hd, 1/4-20 x 1 1/4	2
6	SH408	Hex Hd, 3/8-16 x 1	8	35	FP111	Hex Nipple, 1/8	1	66	12679	Block, Stationary Jaw, C2-1, TD	1
7	SW420	Washer, Lock, 3/8	24	36	12640	Block, Moving Jaw, CP-1, TD	1	67	12676	Block, Stationary Jaw, C2-2, TD	1
8	SW410	Washer, Flat, 3/8	24	37	PPS21	Pipe Plug, Socket, 1/8	7	68	SK214	Soc Hd, 1/4-20 x 1 3/4	2
9	0221	Housing, Bearing	4	38	12641	Block, Moving Jaw, CP-2, TD	1	69			
10	1142	Shaft, Seal	2	39	SK408	Soc Hd, 3/8-16 x 1	4	70	12584	Jaw, Moving, CP, TD	1
11	PK204	Soc Hd, 1/4-20 x 1/2	2	40	10508	Plate, Top Seal, C2x2, TD	1		12585	Jaw, Moving, Brander, QLCP, TD	1
12	SH416	Hex Hd, 3/8-16 x 2	2	41	SK610	Soc Hd, 1/2-13 x 1-1/4	6	71	12782	Jaw, Seal, QL, TD+.5	1
13	1133	Clamp, Seal Post	1	42	1134	Block, Shaft Bearing	1	72	12782	Jaw, Seal, QL, TD+.5	1
14	SH412	Hex Hd, 3/8-16 x 1-1/2	2	43	SW610	Washer, Flat, 1/2	10	73	FS132	Nipple SST, 1/4 x 3	1
15	1132	Bar, Guide Bearing	1	44	SW620	Washer, Lock, 1/2	10				
16	BE307	Bearing, Roller, KP16A	4	45	SH620	Hex Hd, 1/2-13 x 3	3	76	10509	Plug, Seal Plate	2
17	CL008	Collar, Shaft, 1, SST	4	46	BE216	Duralon, 1 x 1-1/4 x 2	2	77	DR130	O-ring, Piston, Plug	2
18	PE208	Eyebolt, 1/4-20 x 1	4	47				78	FP533	Elbow, 1/4 Female	1
19	SN220	Nut, Acorn, 1/4-20 HiCrn	4	48				79	FP633	Street Elbow, 1/4FP x 1/4MP	1
20	9289	Com. Seal, Cap-pac	2	49				80	FC243	Connector, 5/16T x 1/4MP	2
21	SH304	Hex Hd, 5/16-18 x 1/2	4	50				81	PPS23	Pipe Plug, Socket, 1/4	2
22	BE317	Roller Cam, 2	2	51	SH414	Hex Hd, 3/8-16 x 1-3/4	12	82	12752	Tube, Top Seal, Outlet	1
23	1164	Collar, Eccentric Shaft	4	52	SH616	Hex Hd, 1/2-13 x 2	2	83	12753	Tube, Top Seal, Inlet	1
24	0427	Shaft, Seal Eccentric	2	53	8573	Post, Seal Plate, Front	2	84	W1403	Connector, Strain Relief, 9mm	2
25	SG005	Spring, Extension, 3-3/8	4	54	FV233	Pet Cock, 1/4	1	85	FC045	Tube Union, 5/16T x 3/8T	2
26	SH306	Hex Hd, 5/16-18 x 3/4	4	55	3289	Manifold, Water, City	1	86	FC945	Tube Support, 3/8	2
27	9335	Plunger, Seal, CP-R	4	56	2360	Cover, Top Seal	2	87	FC935	Sleeve, 3/8 Plastic	2
28	FG105	Zerk, 1/4-28 x Straight	2	57	SK217	Soc Hd, 1/4-20 x 2-1/4	2				
29	SN310	Nut, Hex, 5/16-18	4	58	FV211	Pet Cock, 1/8	2				
30	SK306	Soc Hd, 5/16-18 x 3/4	4	59	FP511	Elbow, 1/8FP	1				

CUT OFF

CUT OFF

CUT OFF

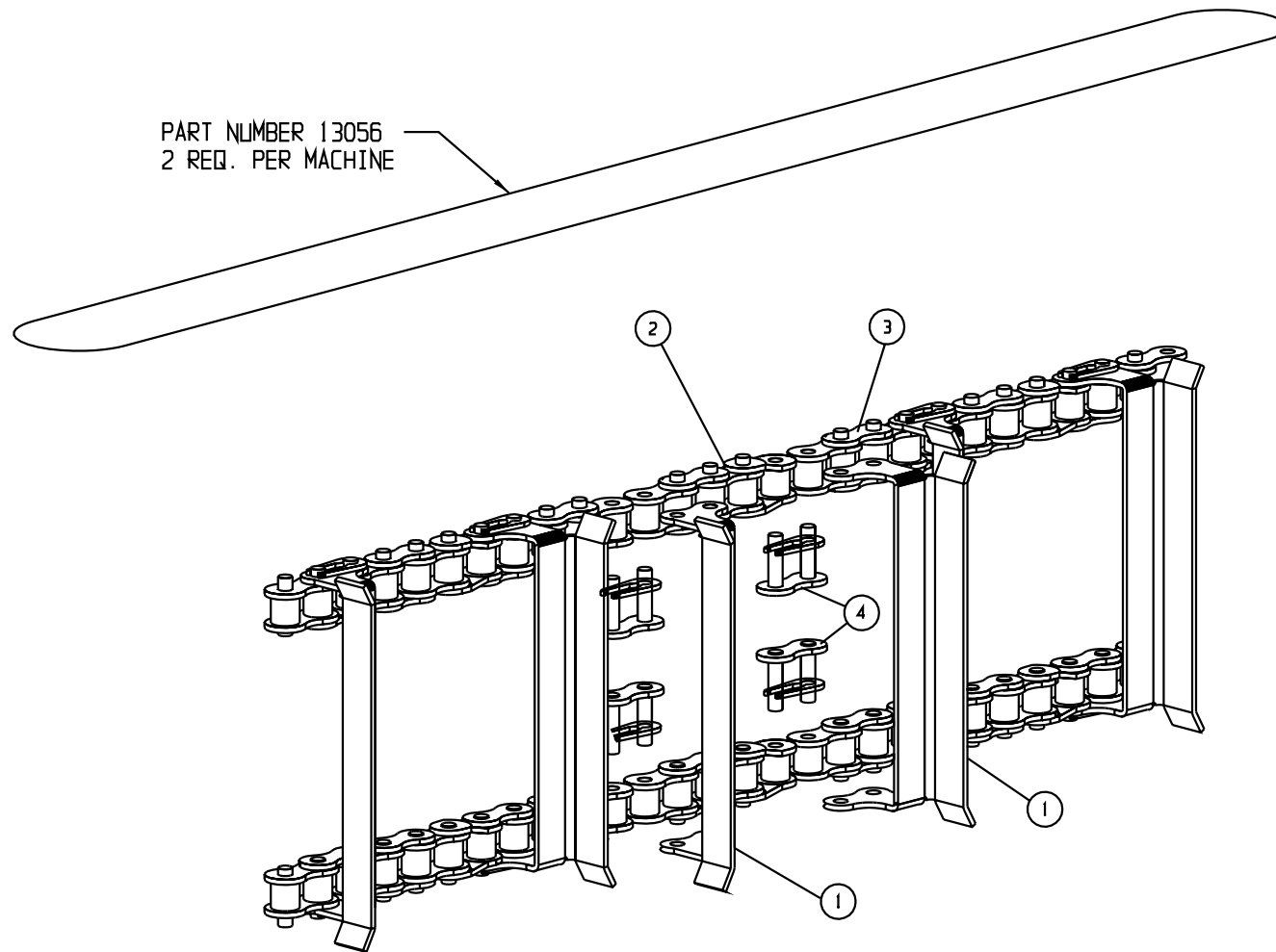
580 TOP SEAL LOWER HALF PARTS LIST



ITEM	PART NO	DESCRIPTION	QTY
1	PH408	Hex Hd, 3/8-16 x 1	8
2	PW420	Washer, Lock, 3/8	18
3	PW410	Washer, Flat, 3/8	14
4	0224	Bracket, Pivot Arm	2
5	1140	Lever, Seal	2
6	PK208	Soc Hd, 1/4-20 x 1	2
7	PN440	Nut, Jam, 3/8-16	8
8	1142	Shaft, Seal	2
9	PK204	Soc Hd, 1/4-20 x 1/2	6
10	BE018	Ironite, 1/2 x 5/8 x 1/2	16
11	0220	Clevis	2
12	0279	Stripper, PLTD, 1/2 x 1-1/2	6
13	0280	Stripper, PLTD, 1/2 x 2	2
14	1900	Hose, Grease, 10-1/2	2
15	0223	Yoke, Top Seal	2
16	PN830	Nut, Jam, 5/8-11	2
17	PH417	Hex Hd, 3/8-16 x 2 1/4	2
18	1210	Plate, Retainer, F-7/16x1.2	2
19	0212	Housing, Cam	2
20	1211	Cam, Eccentric, 1-.4x1.2	2
21	BE015	Dilite, 1.25 x 1.5 x 1	2
22	1209	Plate, Retainer, R-7/16x1.2	2
23	PK616	Soc Hd, 1/2-13 x 2	2
24			
25	0573	Clamp, Cam, 1.2	2
26	PK414	Soc Hd, 3/8-16 x 1 3/4	4
27	2361	Bracket, Pivot Arm	1

Confidential property of Ninco Corporation.
 Use, reproduction, or disclosure without
 express written permission is prohibited.
 © Copyright Ninco Corporation 1992, 2006
 All rights reserved.

580 DRIVE CHAINS PARTS LIST



MAN\580\170B4

Confidential property of Ninco Corporation.
Use, reproduction, or disclosure without
express written permission is prohibited.
©Copyright Ninco Corporation 1992, 2007
All rights reserved.

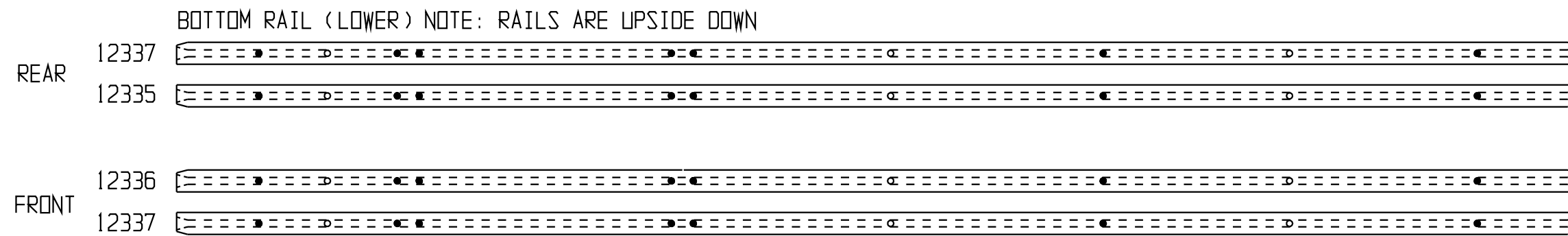
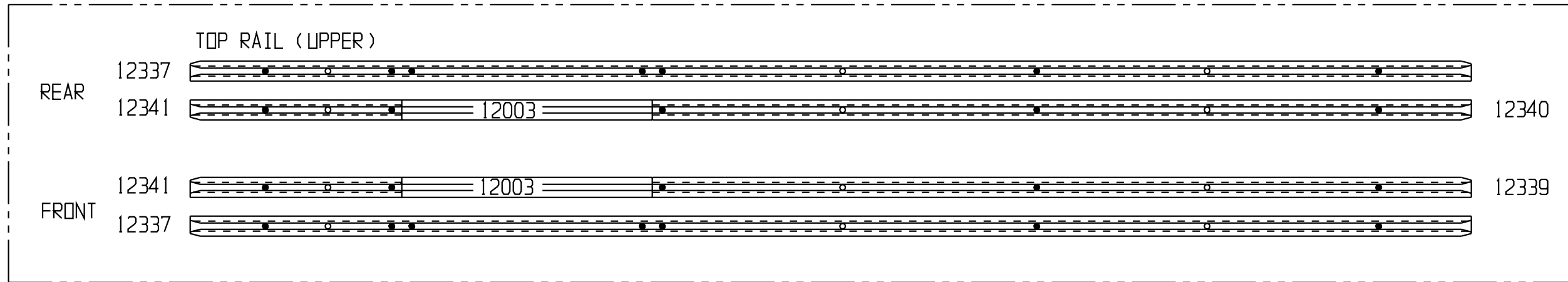
ITEM	PART NO	DESCRIPTION	QTY
1	12468	Lug, Carrier, 5 3/8	62
2	1460	Chain, 3 Pitch, Barrel Ends	62
3	5539	Chain, 4 Pitch, Offset End	62
4	CH031	Link, #40 SST, Connecting	124
A	13056	Drive Chain, Carrier, 680-62	2

580 CONVEYOR RAILS UPPER & LOWER

CUT OFF

CUT OFF

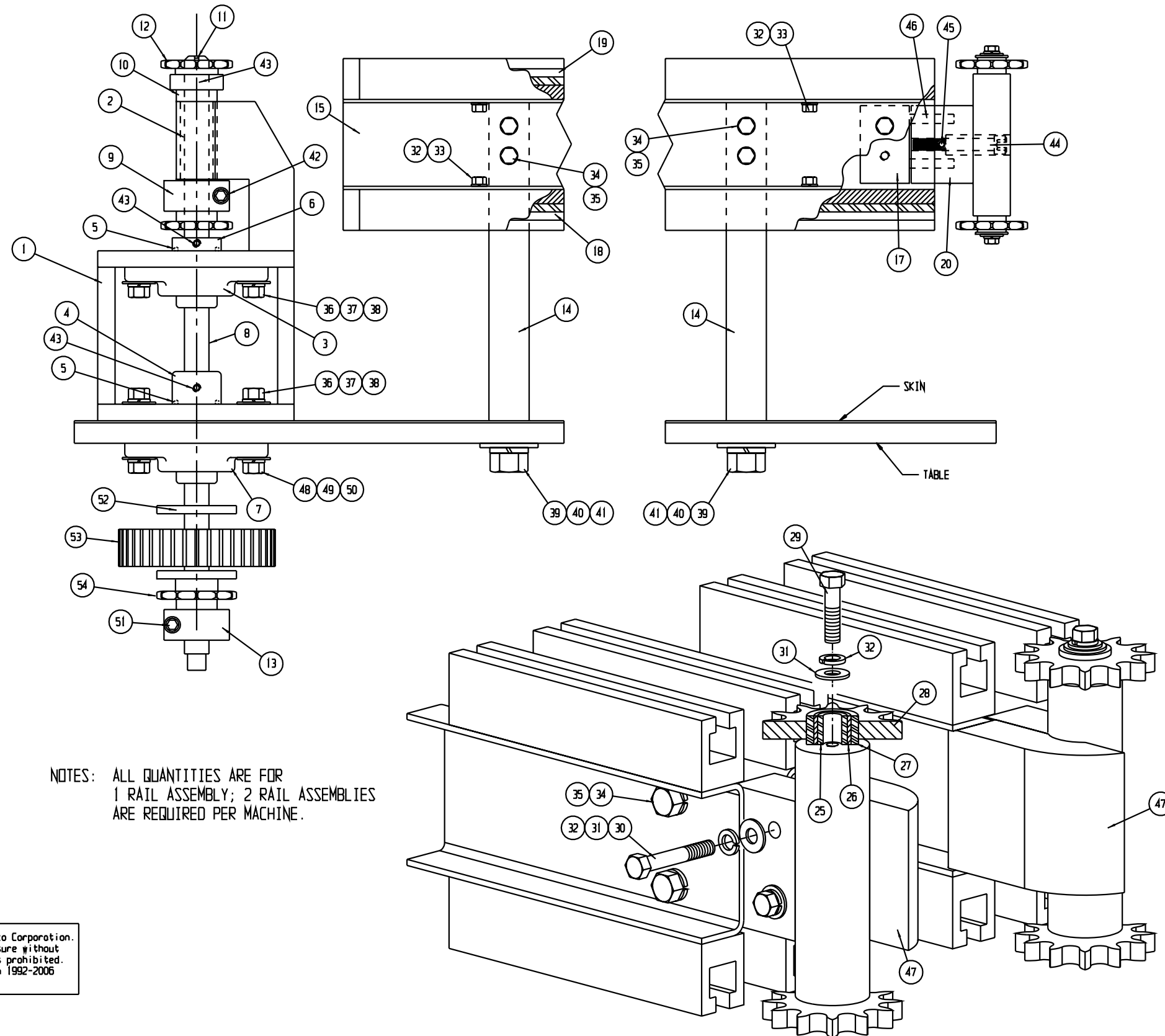
CUT OFF



NOTE: INSERT FOR 12341 IS 12343
 INSERT FOR 12335, 12336, AND 12337 IS 12345
 INSERT FOR 12339 AND 12340 IS 12344

Confidential property of Ninco Corporation.
 Use, reproduction, or disclosure without
 express written permission is prohibited.
 © Copyright Ninco Corporation 1992, 2006
 All rights reserved.

580 CHAINRAIL DRIVE PARTS LIST



NOTES: ALL QUANTITIES ARE FOR
1 RAIL ASSEMBLY; 2 RAIL ASSEMBLIES
ARE REQUIRED PER MACHINE.

Confidential property of Ninco Corporation.
Use, reproduction, or disclosure without
express written permission is prohibited.
© Copyright Ninco Corporation 1992-2006
All rights reserved.

MAN580\172B2

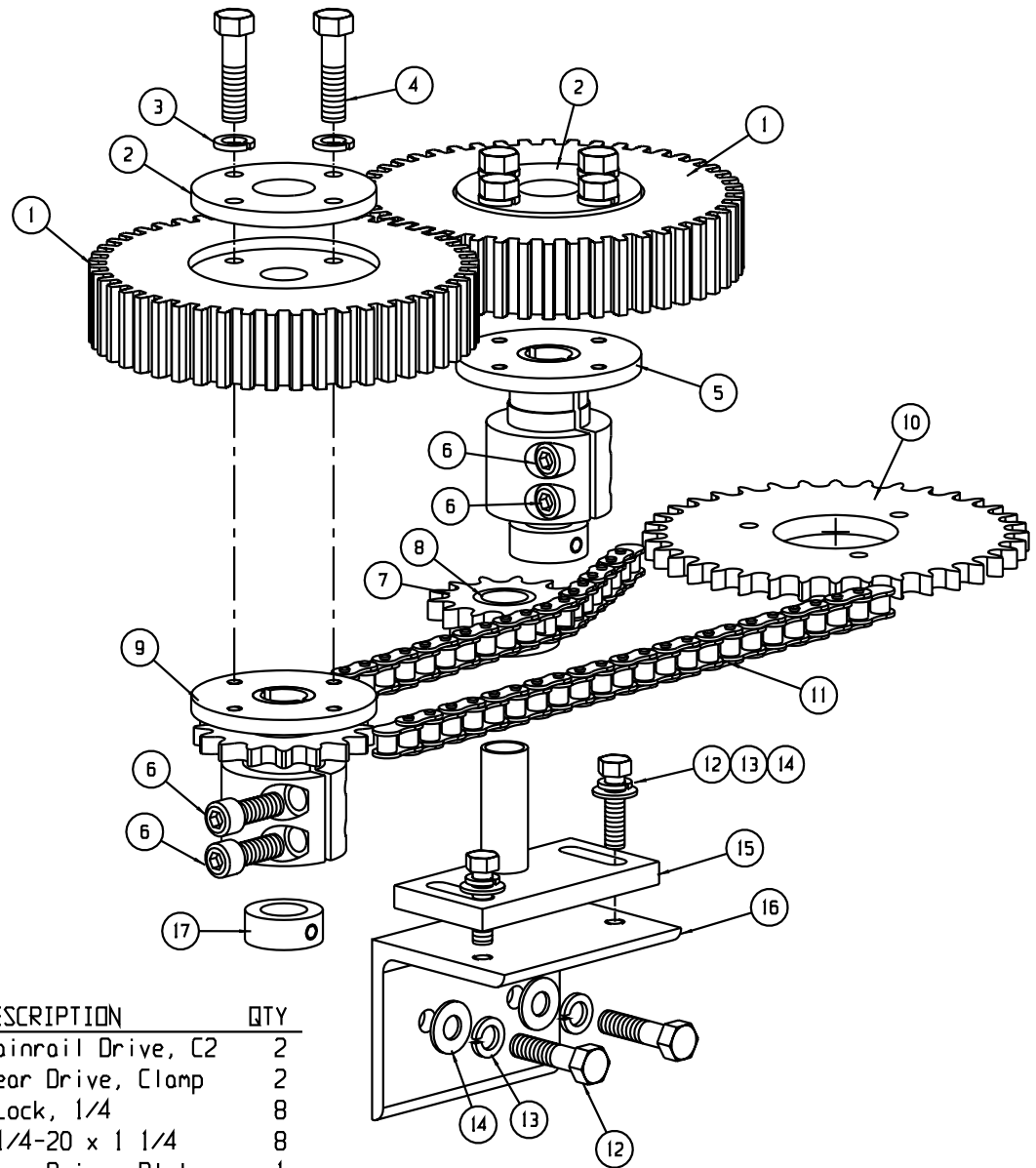
ITEM	PART NO	DESCRIPTION	QTY
1	9147	BRACKET, RAIL SUPPORT, C2 GRN	1
2	BE221	DURALON, .75 x 1 x 2.25	1
3	0251	BEARING, PLTD. FLANGE, .75	1
4	0188	COLLAR, INDEX SHAFT	1
5	DR007	O-RING, # 18138	2
6	1173	COLLAR, INDEX SHAFT	1
7	BE318	BEARING, FLANGE, .75	1
8	4338	SHAFT, CHAIN DRIVE, 350GRN	1
9	0960	SPROCKET, CLAMP, 40N12	1
10	1072	WASHER, SPROCKET	1
11	1774	KEY, RAIL SPROC, 3/16x7/8	1
12	1431	SPROCKET, RAIL, 40B12	1
13	0957	SPROCKET, CLAMP, 40N16	1
14	10811	POST, CHAINRAIL	2
14A			
15	12334	FRAME, CHAINRAIL, 680	2
17	10805	BLOCK, RAIL ADJUST, 380	1
18	---		
19	---		
20	10806	TENSIONER, CHAIN IDLER	1
21	---		
22	---		
23	---		
24	---		
25	1246	BUSHING, IDLER BEARING	2
26	BE213	DURALON, .5 x .625 x .5	2
27	0963	BUSHING, IDLER SPROCKET	2
28	0184	SPROCKET, IDLER, 40A12	2
29	SH210	HEX HEAD, 1/4-20 x 1 1/4	2
30	SH214	HEX HEAD, 1/4-20 x 1 3/4	4
31	SW210	WASHER, FLAT, 1/4	4
32	SW220	WASHER, LOCK, 1/4	18
33	SH207	HEX HEAD, 1/4-20 x 7/8	14
34	SH305	HEX HEAD, 5/16-18 x 5/8	12
35	SW320	WASHER, LOCK, 5/16	12
36	SW410	WASHER, FLAT, 3/8-13/16 O.D.	6
37	SW420	WASHER, LOCK, 3/8	6
38	SH410	HEX HEAD, 3/8-16 x 1 1/4	6
39	PH612	HEX HEAD, 1/2-13 x 1 1/2	3
40	PW610	WASHER, FLAT, 1/2	3
41	PW620	WASHER, LOCK, 1/2	3
42	SK408	SOCKET HEAD, 3/8-16 x 1	1
43	SC203	SET SCREW, 1/4-20 x 3/8	3
44	0263	SOC.HD, 3/8-16 x 2 1/2 FULL	1
45	SC230	SET SCR, 1/4-20 x 1/4 NY TIP	1
46	6784	PIN, GUIDE	2
47	10758	GUIDE, CARTON, TRANSFER	2
48	PH408	HEX HEAD, 3/8-16 x 1	2
49	PW410	WASHER, FLAT, 3/8	2
50	PW420	WASHER, LOCK, 3/8	2
51	PK408	SOCKET HEAD, 3/8-16 x 1	1
52	10825	PLATE, GEAR DRIVE	1
53	12133	GEAR, CHAINRAIL DRIVE	1
54	12712	CLAMP, GEAR DRIVE, PLATE	1
55a	12713	CLAMP, GEAR DRIVE, 4016	1

CUT OFF

CUT OFF

CUT OFF

580 RAIL SPROCKET DRIVE PARTS LIST

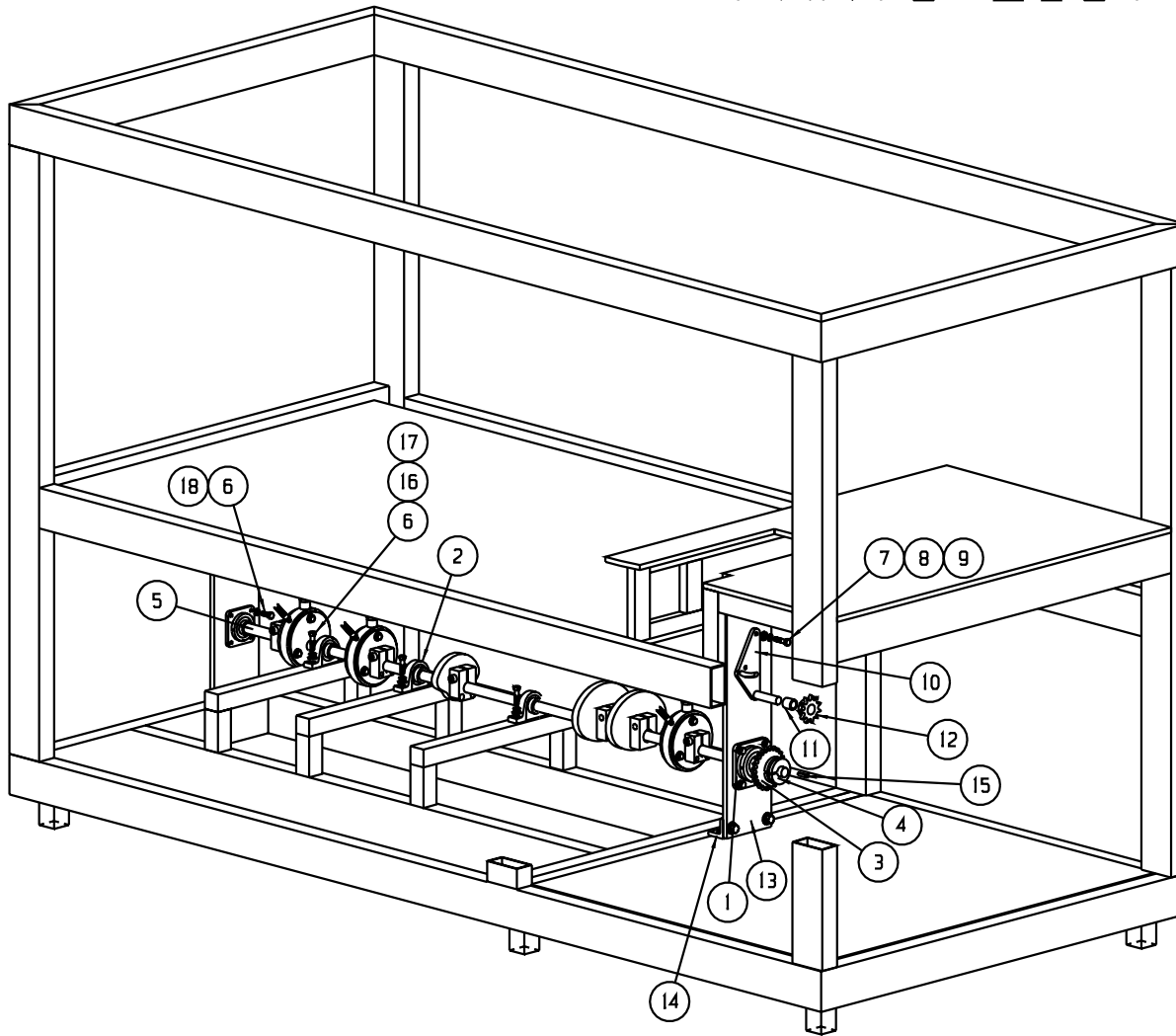


ITEM	PART NO	DESCRIPTION	QTY
1	12133	Gear, Chainrail Drive, C2	2
2	10826A	Plate, Gear Drive, Clamp	2
3	SW220	Washer, Lock, 1/4	8
4	SH210	Hex Hd, 1/4-20 x 1 1/4	8
5	12712	Clamp, Gear Drive, Plate	1
6	PK408	Soc Hd, 3/8-16 x 1	4
7	SP108	Sprocket, #40B13-1	1
8	BE010	Dilite, .75 x 1 x 1	1
9	12713	Clamp, Gear Drive, 4016	1
10	4154	Sprocket, Drive, 4036-3.2	1
11	12776	Chain, Rail Sprocket Drive, #40	1
12	PH308	Hex Hd, 5/16-18 x 1	4
13	PW320	Washer, Lock, 5/16	4
14	PW310	Washer, Flat, 5/16	4
15	0121	Bracket, Chain Idler, Liftxl	1
16	5237	Bracket, Idler, Support	1
17	CL006	Collar, Shaft, 3/4	2

MAN\580\178B2

Confidential property of Ninco Corporation.
Use, reproduction, or disclosure without
express written permission is prohibited.
© Copyright Ninco Corporation 1992, 2007
All rights reserved.

580 FILLER TABLE MAIN SHAFT PARTS LIST

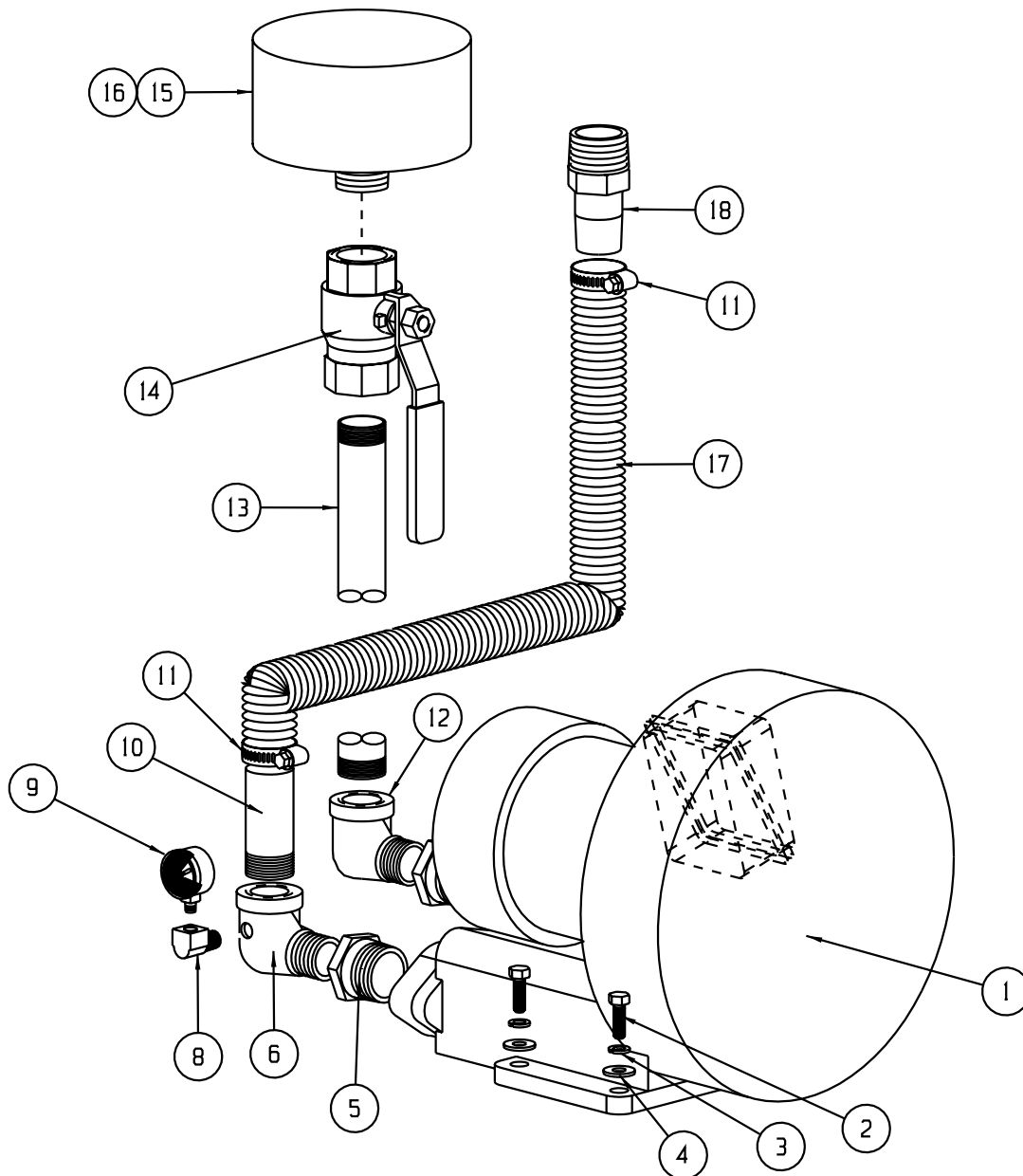


ITEM	PART NO	DESCRIPTION	QTY
1	BE324	Bearing, Flange, 1.25	3
2	BE325	Bearing, Pillow, 1.25	3
3	SP219	Sprocket, #D50TLB20H	1
4	SP222	Bushing, #2012 - 1 1/4	1
5	11439	Shaft, Filler Drive, 650SS	1
6	PW620	Washer, Lock, 1/2	26
7	PW420	Washer, Lock, 3/8	2
8	PW410	Washer, Flat, 3/8	2
9	PH408	Hex Head, 3/8-16 x 1	2
10	0023	Bracket, Idler	1
11	BE010	Oilite, .75 x 1 x 1	1
12	389	Sprocket, #D50B11-1	1
13	11049	Plate, Filler End, 380	1
14	0018	Bracket, Plate	2
15	1714	Key, Filler Shaft, 1/4x1 1/4	1
16	PH610	Hex Head, 1/2-13 x 1	18
17	PW615	Washer, Flat, 1/2 SAE	6
18	PH612	Hex, Head, 1/2-13 x 1 1/2	6
19			
20			
21			
22			
23			
24			
25			

MAN\580\179B3

Confidential property of Ninco Corporation.
Use, reproduction, or disclosure without
express written permission is prohibited.
© Copyright Ninco Corporation 1992, 2005
All rights reserved.

TOP HEAT BLOWER PARTS LIST



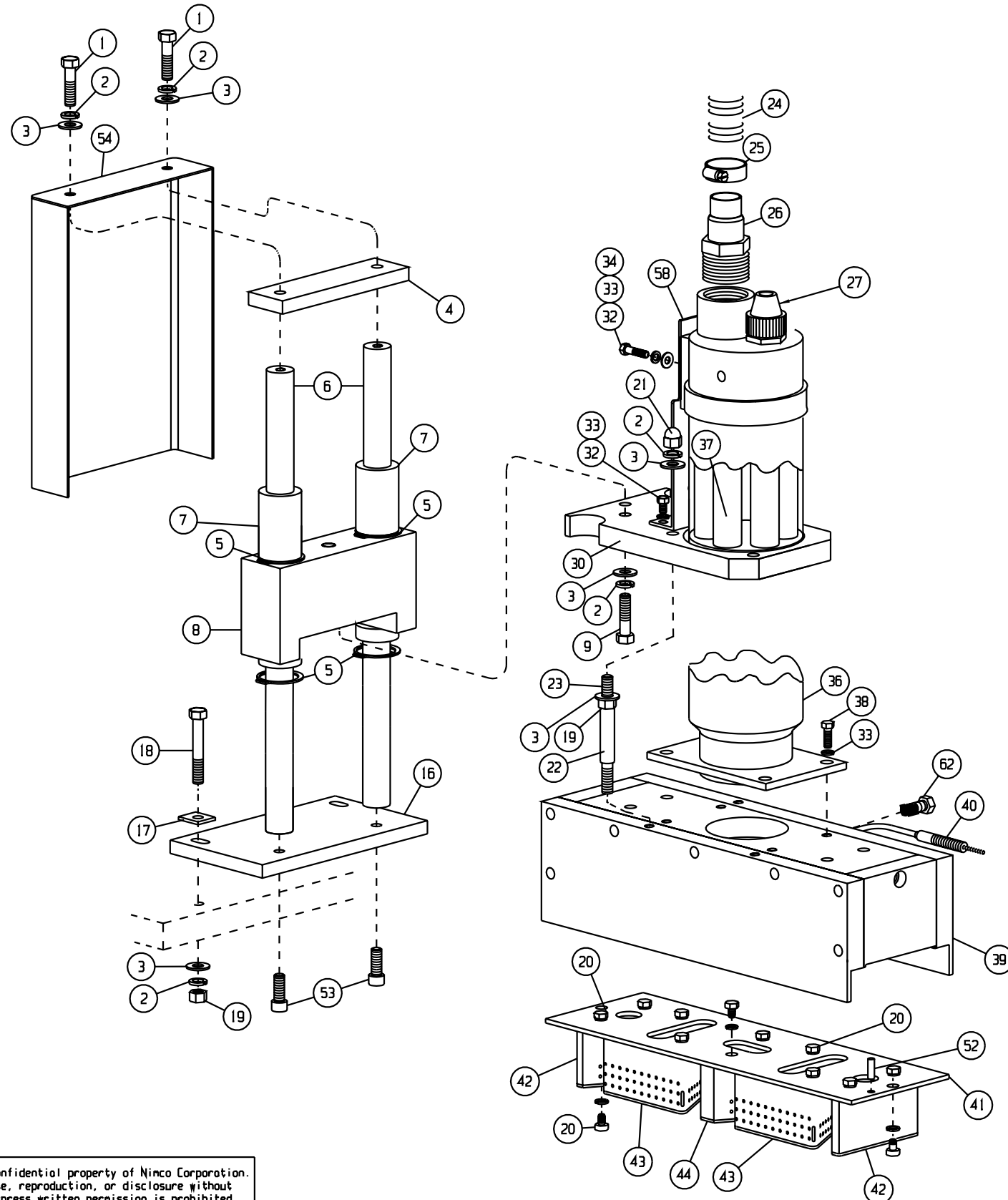
ITEM	PART NO	DESCRIPTION	QTY
1	BL100	Blower, Heater, 309A	1
2	PH308	Hex Hd, 5/16-18 x 1	4
3	PW320	Washer, Lock, 5/16	4
4	PW310	Washer, Flat, 5/16	4
5	FP280	Bushing, 1FP x 1 1/4MP	2
6	3803	Steel L 1FP x 1MP, Top 1/4 NPT	1
7	-----	-----	-
8	FP633	Street Elbow, 1/4FP x 1/4MP	1
9	HE313	Gauge, Pressure, 0-30 WC	1
10	2698	Nipple, Tubing	1
11	CL101	Clamp, Hose, SST, #20	2
12	FP688	Street Elbow, 1 FP x 1 MP	1
13	FP185	Nipple, Galv, 1 x 4"	1
14	VL050	Valve, Ball, 1	1
15	BL050	Filter, Blower Air, 1	1
16	BL051	Element, Blower Filter, 1	1
17	TU075	Tubing, Ribbed, 1 1/4	25"
18	4998	Connector, 1 1/4MP x 1 1/4OD	1

MAN-COMMON-191A

Confidential property of Ninco Corporation.
 Use, reproduction, or disclosure without
 express written permission is prohibited.
 © Copyright Ninco Corporation 1992-2003
 All rights reserved.

580 INDEXING ELECTRIC TOP HEAT

580 INDEXING ELECTRIC TOP HEAT



ITEM	PART NO	DESCRIPTION	QTY	ITEM	PART NO	DESCRIPTION	QTY
1	SH408	Hex Hd, 3/8-16 x 1	2	36	11365	Heater, Electric, Top, 37X	1
2	SW420	Washer, Lock, 3/8	11	37	HE381	Element, Heater, MAX, 220V	1
3	SW410	Washer, Flat, 3/8	18		HE382	Element, Heater, MAX, 380V	1
4	10837	Plate, Guide Shaft, ITH	1		HE383	Element, Heater, MAX, 480V	1
5	SG019	Ring, Retaining	4	38	SH206	Hex Hd, 1/4-20 x 3/4	4
6	10813	Post, Top, Guide	2	39	2797	Oven, Electric, Dbl Top	1
7	3916	Bearing, Shaft Guide	2	40	CN253	Probe, Sensing, Controller	1
8	10844	Block, Heater Slide	1	41	REX44	Plate, Support, ITH-2, Qt/LT	1
9	SH412	Hex Hd, 3/8-16 x 1 1/2	3	42	REX41	Manifold, ITH, End	1
10				43	REX100	Manifold, Center, ITH, Qt/LT	2
11				44	REX99	Manifold, Center, ITH-2, Qt/Lt	1
12				45	REX41	Manifold, ITH, End	1
13				46			
14				47			
15				48			
16	11531	Plate, Heater Mount, ITH, 450	1	49			
17	8571	Plate, Cover, 3/8x1x1 1/2	2	50			
18	SH417	Hex Hd, 3/8-16 x 2 1/4	2	51			
19	SN410	Nut, Hex, 3/8-16	6	52	SL004	Roll, Pin, 1/8 x 1/2 SST	1
20	SK204	Soc Hd, 1/4-20 x 1/2	12	53	SK408	Soc Hd, 3/8-16 x 1	2
21	SN420	Nut, Acorn, 3/8-24	4	54			
22	2643	Spacer, Top Heater	4	55			
23	2642	Stud	4	56			
24	TU075	Tubing, Ribbed, 1 1/4	26"	57			
25	CL101	Clamp, Hose, SST, #20	2	58	10864	Plate, Heater Adaptor	1
26	4998	Conn, 1 1/4MP x 1 1/4 OD	1	59			
27	WI400	Conn, Strain Relief 1/2	1	60			
28				61			
29				62	11188	Clamp, Probe, Heat Control	1
30	10846	Clamp, Heater, Top, 210	1				
31							
32	SH204	Hex Hd, 1/4-20 x 1/2	4				
33	SW220	Washer, Lock, 1/4	14				
34	SW210	Washer, Flat, 1/4	4				
35	SK208	Soc Hd, 1/4-20 x 1	2				

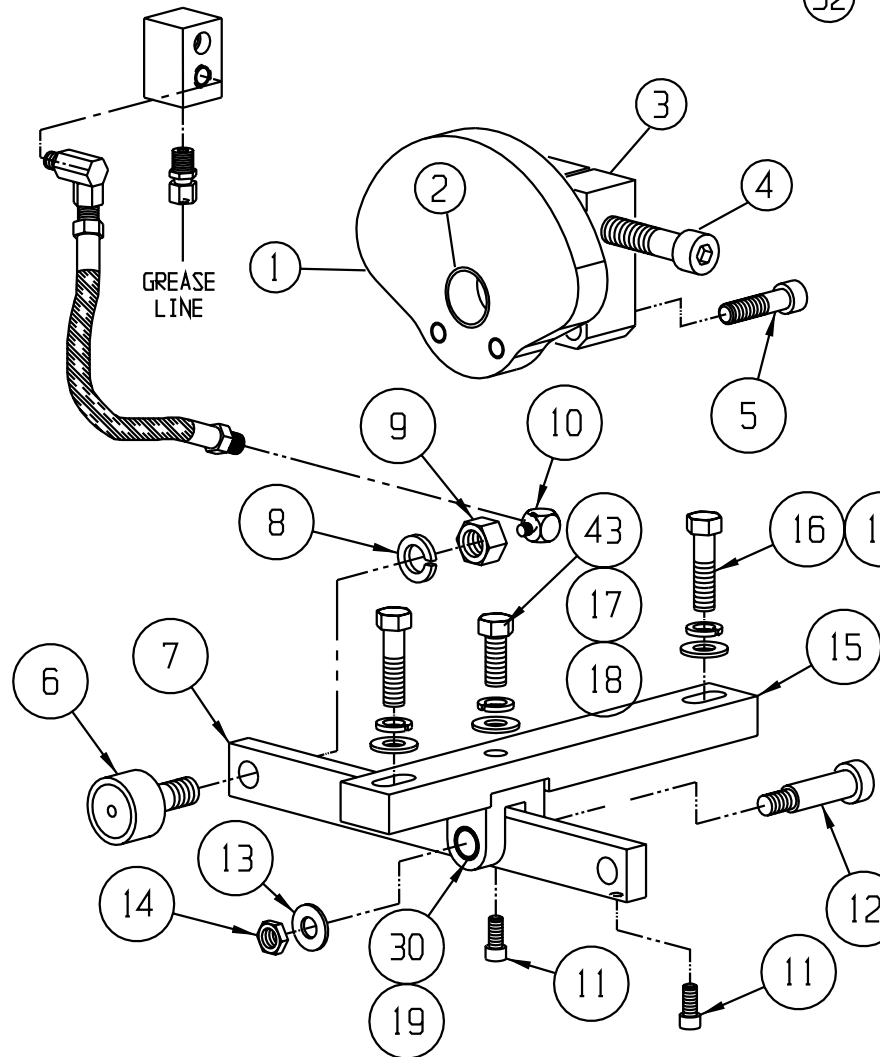
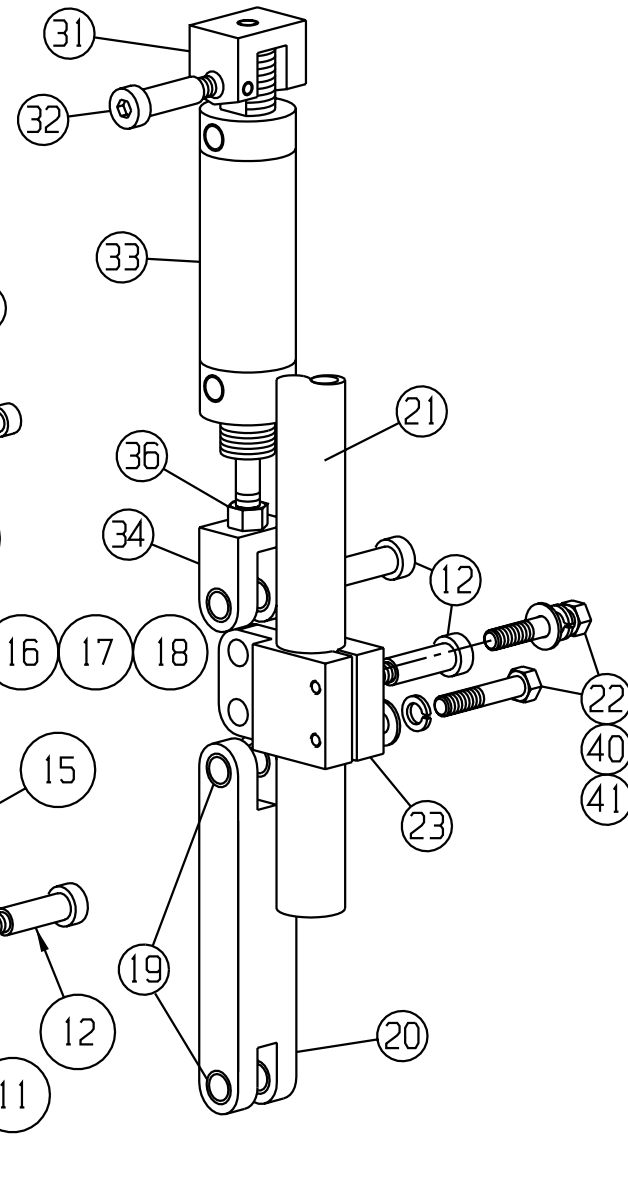
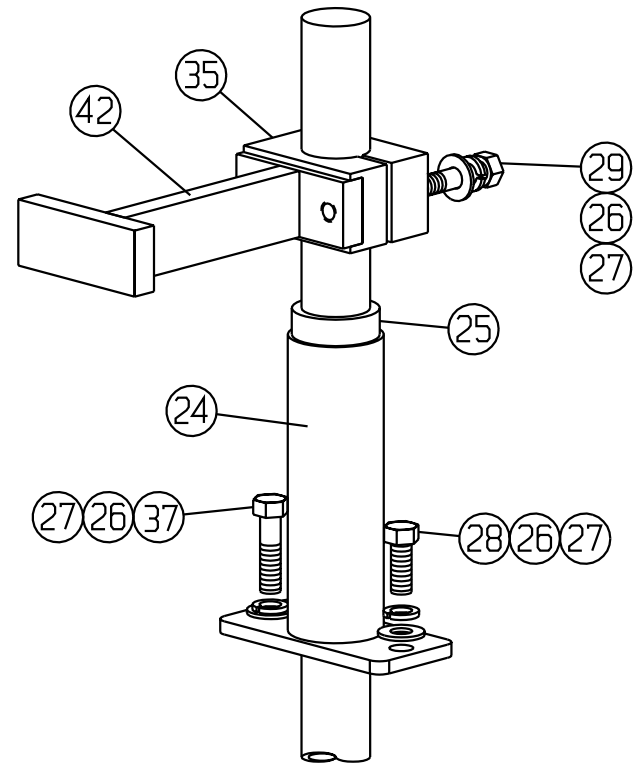
Confidential property of Ninco Corporation.
 Use, reproduction, or disclosure without
 express written permission is prohibited.
 © Copyright Ninco Corporation 2001-2006
 All rights reserved.

MAN\580\192C2

CUT OFF

7/11/08 CW: Change revision to not show Item 60. Not used with Max heater
 10/5/06 [jt] Change revision to reflect MAX heater elements
 9/3/03 jt: Made into common 680 page see levels.
 7/27/03 lgb: Corrected It #16 11531 to 12380 Plate
 4/24/03 lgb: Copied from 770TRSS - Updated with 83000E

580 INDEXING TOP HEATER LIFT



580 INDEXING TOP HEATER LIFT PARTS LIST

ITEM	PART NO	DESCRIPTION	QTY	ITEM	PART NO	DESCRIPTION	QTY
1	7964	Cam,Lift,Heater	1	22	SH212	Hex Hd,1/4-20 x 1 1/2	2
2	BE015	Qilite,1.25 x 1.5 x 1	1	23	10568	Clamp,Lift,ITH	1
3	6622	Clamp,Cam	1	24	REX243	Housing,Bearing,ITH,600QH	1
4	PK616	Soc Hd,1/2-13 x 2	1	25	BE219	Duralon,1.25 x 1.5 x 2	2
5	PK412	Soc.Hd,3/8-16 x 1 1/2	2	26	SW410	Washer,Flat,3/8	4
6	6525	Follower,Cam,1-1/4 Trapped	1	27	SW420	Washer.Lock,3/8	4
7	11921	Lever,Arm,Top Heater,600QH	1	28	SH408	Hex Hd,3/8-16 x 1	1
8	PW620	Washer,Lock,1/2	1	29	SH417	Hex Hd,3/8-16 x 2 1/4	2
9	PN615	Nut,Hex,1/2-20	1	30	9905	Clevis,Infeed Shaft	1
10	FP611	Street Elbow,1/8FP x 1/8MP	1	31	3914	Clevis,Cylinder	1
11	PK204	Soc Hd,1/4-20 x 1/2	5	32	3921	Bolt,Pivot	1
12	0279	Striper,Pltd,1/2 x 1-1/2	4	33	3995	Cylinder,Air,Btm Heater	1
13	PW410	Washer,Flat,3/8	4	34	3961	Clevis,Heater Cylinder	1
14	PN440	Nut,Jan,3/8-16 Nylon Tip	4	35	10569	Clamp,Block,Arm,Lift	1
15	11892	Bar,Support,ITH,650SS	1	36	PN635	Nut,Jan,1/2-20	1
16	PH412	Hex Hd,3/8-16 x 1 1/2	2	37	SH412	Hex Hd,3/8-16 x 1 1/2	1
17	PW420	Washer,Lock,3/8	3				
18	PW410	Washer,Flat,3/8	3				
19	BE018	Ironite,1/2 x 5/8 x 1/2	8	40	SW220	Washer,Lock,1/4	2
20	5810	Clevis	1	41	SW210	Washer,Flat,1/4	2
21	10407	Tube,ITH	1	42	12113	Arm,Lift,ITH,770-6.5	1
				43	PH410	Hex Hd,3/8-16 x 1 1/4	1

Confidential property of Ninco Corporation.
Use, reproduction, or disclosure without
express written permission is prohibited.
©Copyright Ninco Corporation 2002-2006
All rights reserved.

040505jt

MAN\580\193B2

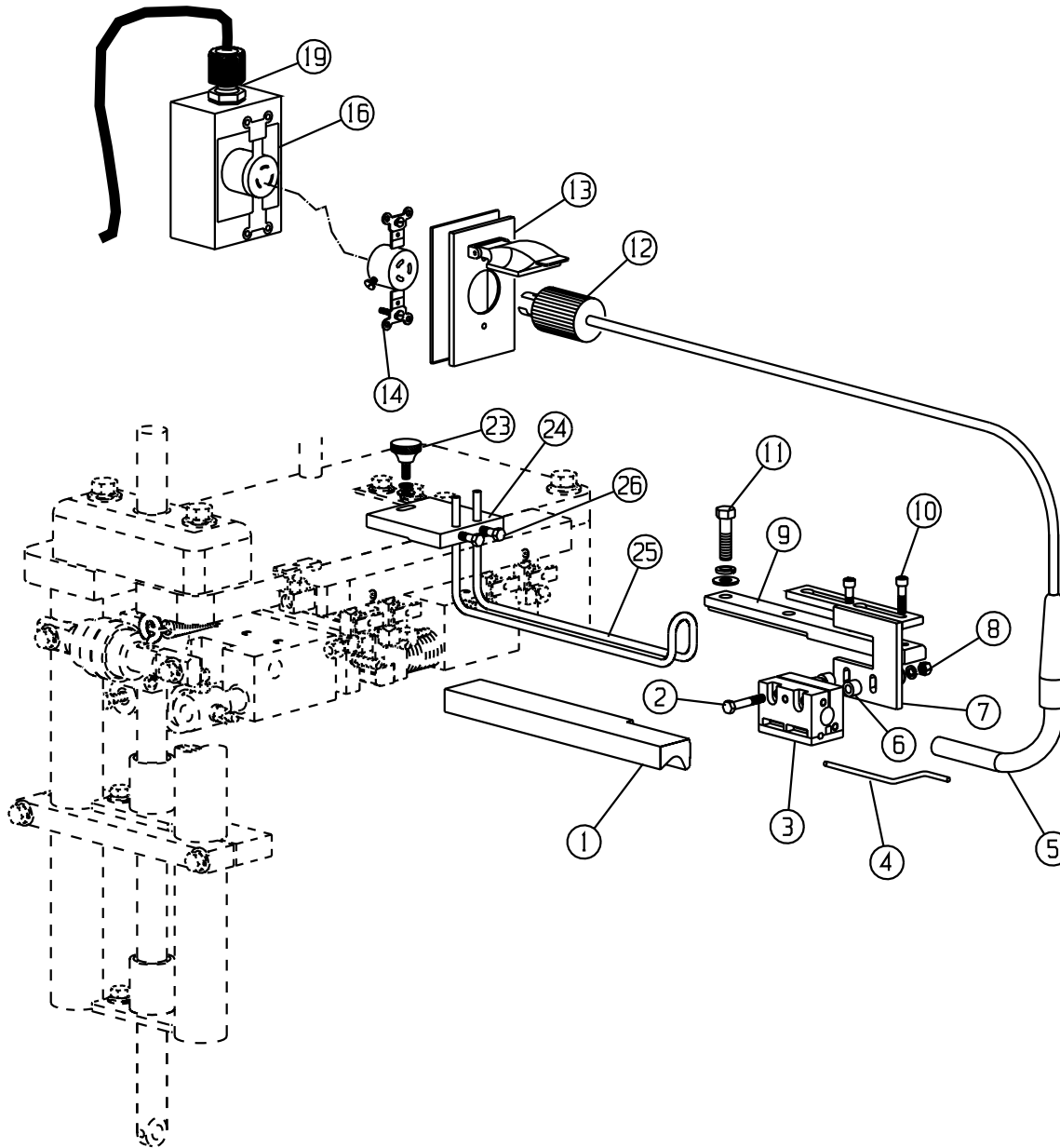
CUT OFF

CUT OFF

CUT OFF

5/5/04 jt: added flat roll options
7/9/03 lgb: Copied from 770RSS & updated It #42 & #15
7/9/03 lgb: Corrected P/N It 29 from SH418 to SH417 - Descp DK
Changed It #42 from 11185 to REX320
3/4/03 BTY 770RSS nos 70 x 140

580 MECHANICAL END MOUNT BRANDING CODER

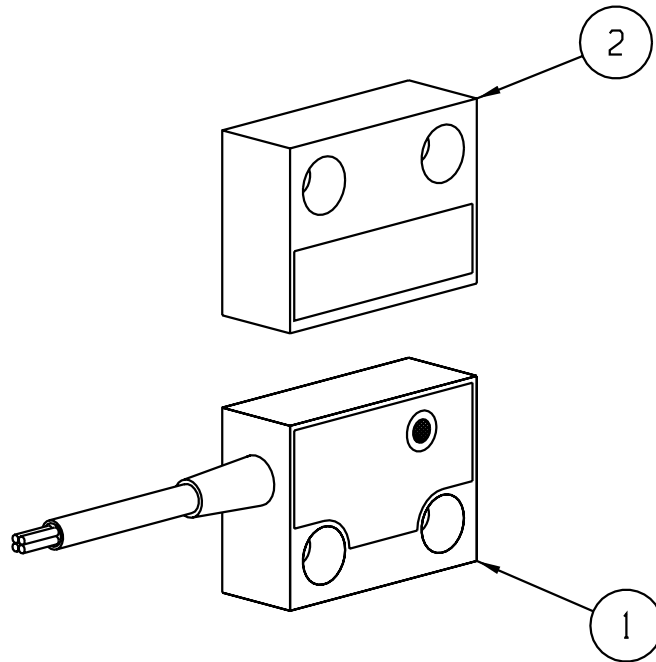


ITEM	PART NO	DESCRIPTION	QTY
1	12585	Jaw, Moving, Brand, QLCP, TD	1
2	SH217	Hex Hd, 1/4-20 x 2 1/4	2
3	6739	Block, Code, Brander-M, F	1
4	4345	Pin, Code, Brander-M	1
5	1960	Heater, Brander Cartridge	1
6	4344	Spacer, 1/2 x 5/16	2
7	8518	Bracket, Brander-M, 2.8x2.5	1
8	SN210	Nut, Hex, 1/4-20	2
9	8523	Bar, Mount, Brander-M, 215	1
10	SK206	Soc Hd, 1/4-20 x 3/4	2
11	SH412	Hex Hd, 3/8-16 x 1 1/2	2
12	BR015	Plug, Twist Lock	1
13	BR019	Cover, Receptacle, Single	1
14	BR016	Receptacle, Single Turnlock	1
15			
16	BR018	Bell Box, Brander	1
17			
18			
19	WI060	Connector, CG, 1/2 x 3/8	4
20			
21			
22			
23	KN004	Knob, 1/4-20 x 1 Dia	1
24	4356	Block, Mtg, Carton Guide	1
25	4358	Tube, Carton Guide	1
26	SH203	Hex Hd, 1/4-20 x 3/8	2

MAN\580\252B3

Confidential property of Ninco Corporation.
 Use, reproduction, or disclosure without
 express written permission is prohibited.
 © Copyright Ninco Corporation 2001-2006
 All rights reserved.

SECURITY ENCLOSURE SWITCHES

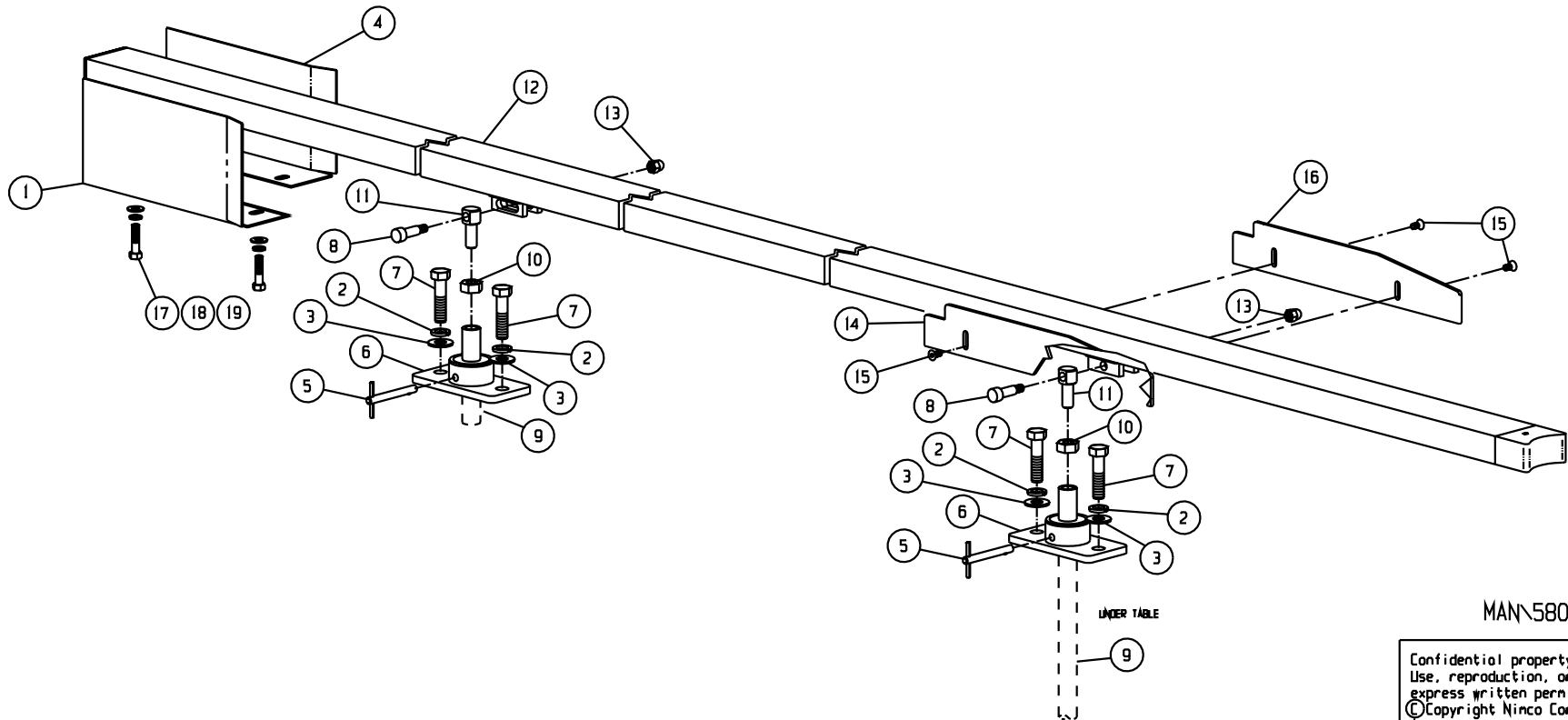


ITEM	PART NO	DESCRIPTION	QTY
1	CN373	SENSOR, LED, 10M	1
	CN372	SENSOR, LED, 2M	
	CN371	SENSOR, LED, 3M	
	CN370	SENSOR, LED, 5M	
2	8763	MAGNET, SENSOR, LED	1

MAN\COMMON\253A2

Confidential property of Ninco Corporation.
 Use, reproduction, or disclosure without
 express written permission is prohibited.
 © Copyright Ninco Corporation 1992-2002
 All rights reserved.

580 BOTTOM RAIL PARTS LIST

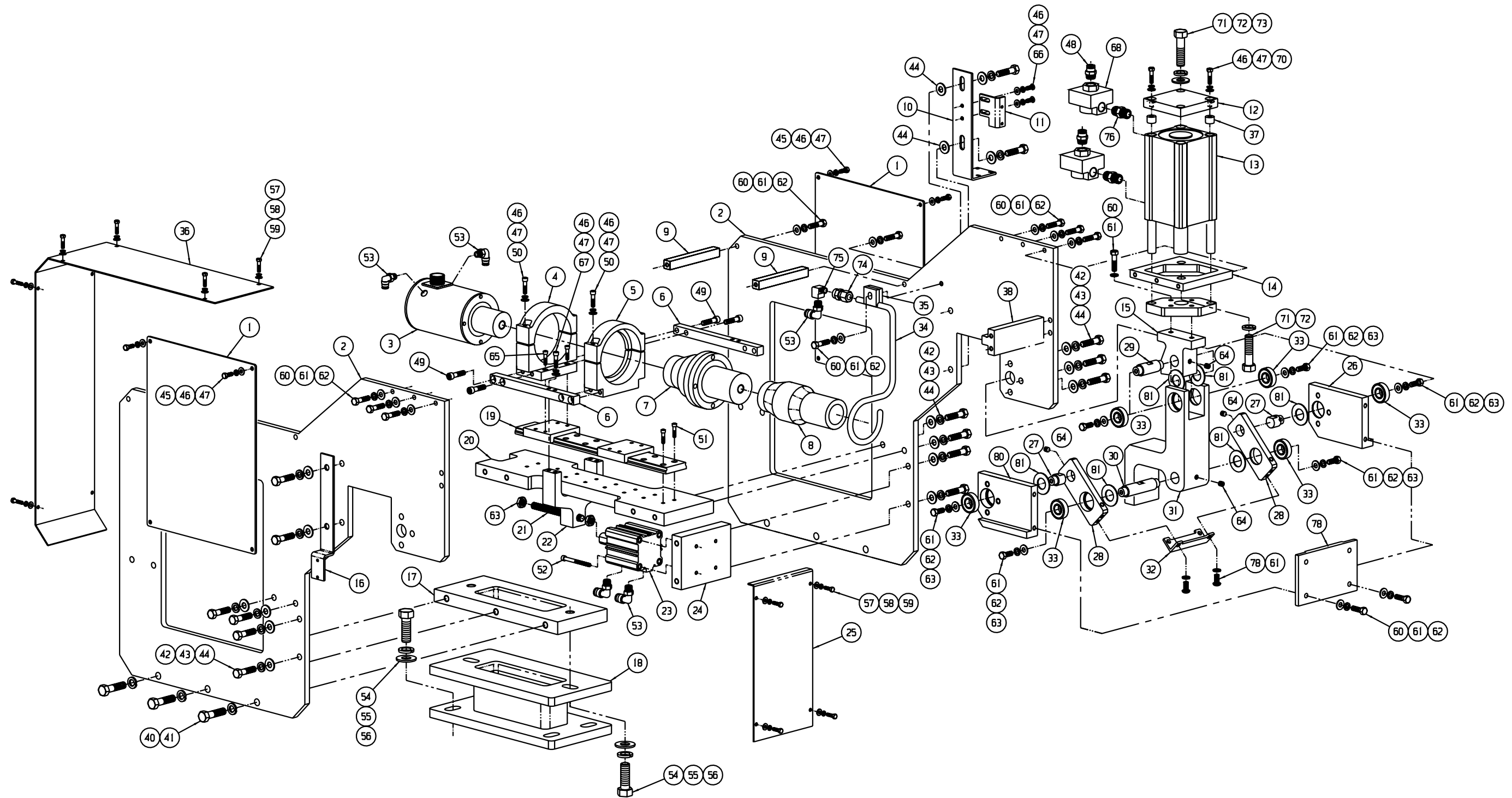


MAN\580\285A5

Confidential property of Ninco Corporation.
Use, reproduction, or disclosure without
express written permission is prohibited.
© Copyright Ninco Corporation 1992, 2006
All rights reserved.

ITEM	PART NO	DESCRIPTION	QTY	ITEM	PART NO	DESCRIPTION	QTY	ITEM	PART NO	DESCRIPTION	QTY
1	4273	GUIDE, CARTON DISCHARGE, F	1	9	3378	SHAFT, JACK SCREW, LT	2	17	SH206	HEX HD, 1/4-20 x 3/4	2
2	SW420	WASHER, LOCK, 3/8	4	10	SN430	NUT, JAM, 3/8-16	2	18	SW210	WASHER, FLAT, 1/4	2
3	SW410	WASHER, FLAT, 3/8	4	11	9351	JACK SCREW, RAIL ADJUST	2	19	SW220	WASHER, LOCK, 1/4	2
4	4272	GUIDE, CARTON DISCHARGE, R	1	12	13445	RAIL, BOTTOM, 580CP	1				
5	1451	PIN, MANDREL PAD	2	13	SN242	NUT, NYLOK, 1/4-20	2				
6	9349	HOUSING, RAIL BEARING, I	2	14	13442	RAMP, CARTON, 580CP FRONT	1				
7	SH408	HEX HD, 3/8-16 X 1	4	15	SF103	FLT HD, 10-32 X 3/8	4				
8	BS306	STRIPPER, SST, 5/16 X 3/4	2	16	13443	RAMP, CARTON, 580CP REAR	1				

580 CAP APPLICATOR, LINEAR



Confidential property of Ninco Corporation.
 Use, reproduction, or disclosure without
 express written permission is prohibited.
 © Copyright Ninco Corporation 2004, 2006
 All rights reserved.

CUT OFF

CUT OFF

CUT OFF
 7/24/08 (CW) 13396 (ITEM 13) WAS CY129
 8/28/06 (JT) DERIVED FROM 580 SET

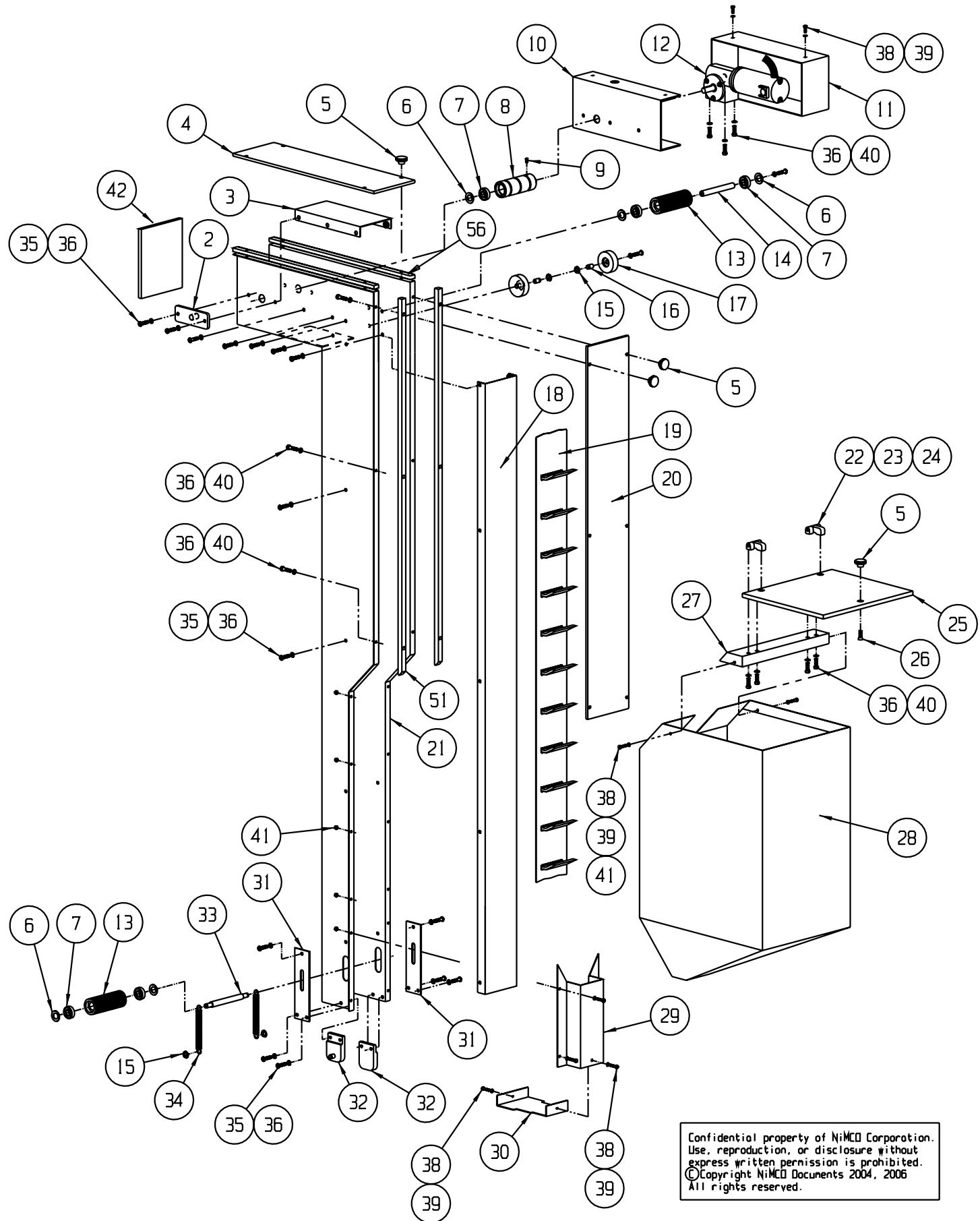
580 CAP APPLICATOR, LINEAR

ITEM	PART NO	DESCRIPTION	QTY	ITEM	PART NO	DESCRIPTION	QTY	ITEM	PART NO	DESCRIPTION	QTY
1	12729	COVER, SIDE, APPLICATOR	2	31	12658	PIVOT ARM, CAP	1	61	SW220	WASHER, LOCK, 1/4	23
2	12666	SIDE, APPLICATOR	2	32	12663	ANGLE, LINK	1	62	SW210	WASHER, FLAT, 1/4	21
3	UW210	CONVERTER, ULTRASONIC, SEALED	1	33	BE343	BEARING, ROLLER, 1/2	6	63	SH204	HEX HEAD, 1/4-20 x 1/2	6
4	12653	CLAMP, CONVERTER	1	34	11225	TUBE, COOLING, HORN	1	64	SC203	SET SCREW, 1/4-20 x 3/8	4
5	12652	CLAMP, BOOSTER	1	35	4277	CLAMP, COOLING TUBE	1	65	PF005	SOCKET HEAD, M4-0.7 x 16	8
6	12654	BAR, CONNECTOR, LINEAR GUIDE	2	36	12766	COVER, APPLICATOR, LINEAR	1	66	SR102	ROUND HEAD, # 10-32 x 5/16	2
7	UW211	BOOSTER	1	37	12668	STOP, CYLINDER, APPLICATOR	2	67	SK110	SOCKET HEAD, # 10-32 x 1 1/4	4
8	-	HORN	1	38	12816	BLOCK, MTG, STOP	1	68	VL248	VALVE, QUICK EXHAUST	2
9	12696	SPACE, APPLICATOR	2	40	SH410	HEX HEAD, 3/8-16 x 1 1/4	6	69	SN435	NUT, JAM, 3/8-24	3
10	12730	BRACKET, PHOTO EYE	1	41	SW420	WASHER, LOCK, 3/8	6	70	SH105	HEX HEAD, # 10-32 x 5/8	2
11	12732	BRACKET, PHOTO EYE	1	42	SH308	HEX HEAD, 5/16-18 x 1	18	71	SH512	HEX HEAD, 7/16-14 x 1 1/2	4
12	12667	PLATE, STOP	1	43	SW320	WASHER, LOCK, 5/16	18	72	SW520	WASHER, LOCK, 7/16	4
13	13396	CYLINDER, AIR, 63 x 77MM, NR	1	44	SW310	WASHER, FLAT, 5/16	20	73	SW510	WASHER, FLAT, 7/16	4
14	12695	PLATE, CYLINDER, APPLICATOR	1	45	SH104	HEX HEAD, # 10-32 x 1/2	8	74	FC041	CONNECTOR, 5/16T x 1/8FP	1
15	12694	BLOCK, PIVOT	1	46	SW120	WASHER, LOCK, # 10	20	75	FP611	STREET ELBOW, 1/8FP x 1/8MP	1
16	12731	BRACKET, PHOTO EYE	1	47	SW110	WASHER, FLAT, # 10	20	76	FP133	HEX NIPPLE, 1/4"	2
17	12697	PLATE, BASE, APPLICATOR	1	48	FQ233	CONNECTOR, 1/4T x 1/4MP	2	78	13109	PLATE, BEARING BLOCK	1
18	11782	BASE, APPLICATOR	1	49	SK205	SOCKET HEAD, 1/4-20 x 5/8	8	79	SR204	BUTTON HEAD, SOCKET, 1/4-20x1/2	4
19	BE350	LINEAR GUIDE	1	50	SK112	SOCKET HEAD, # 10-32 x 1 1/2	4	80	13108	BLOCK, BEARING, RH	1
20	12651	PLATE, LINEAR GUIDE	1	51	SK005	SOCKET HEAD, # 8-32 x 5/8	16	81	13157	WASHER, THRUST	6
21	11240	STUD, 3/8-24 x 5 3/8	1	52	SK119	SOCKET HEAD, # 10-32 x 2 3/4	4				
22	12655	CONNECTOR, SLIDE HORN	1	53	FQ631	ELBOW, 1/4T x 1/8MP	5				
23	CY123	CYLINDER, AIR, 40MM x 25MM	1	54	SH612	HEX HEAD, 1/2-13 x 1 1/2	6				
24	12656	PLATE, CYLINDER, HORN	1	55	SW620	WASHER, LOCK, 1/2	6				
25	12733	COVER, APPLICATOR	1	56	SW610	WASHER, FLAT, 1/2	6				
26	13107	BLOCK, BEARING, LH	1	57	SH004	HEX HEAD, # 8-32 x 1/2	12				
27	12662	SHAFT, LINK	2	58	SW020	WASHER, LOCK, # 8	12				
28	12657	LINK, PIVOT ARM	2	59	SW010	WASHER, FLAT, # 8	12				
29	12661	SHAFT, PIVOT ARM	1	60	SH208	HEX HEAD, 1/4-20 x 1	17				
30	12659	SHAFT, PIVOT ARM	1								

MAN\580\300A2
SHEET 2 OF 2

Confidential property of Ninco Corporation.
Use, reproduction, or disclosure without
express written permission is prohibited.
© Copyright Ninco Corporation 2004, 2006
All rights reserved.

580 CAP ELEVATOR



Confidential property of NiMCO Corporation.
Use, reproduction, or disclosure without
express written permission is prohibited.
© Copyright NiMCO Documents 2004, 2006
All rights reserved.

MAN\580\301A3

580 CAP ELEVATOR

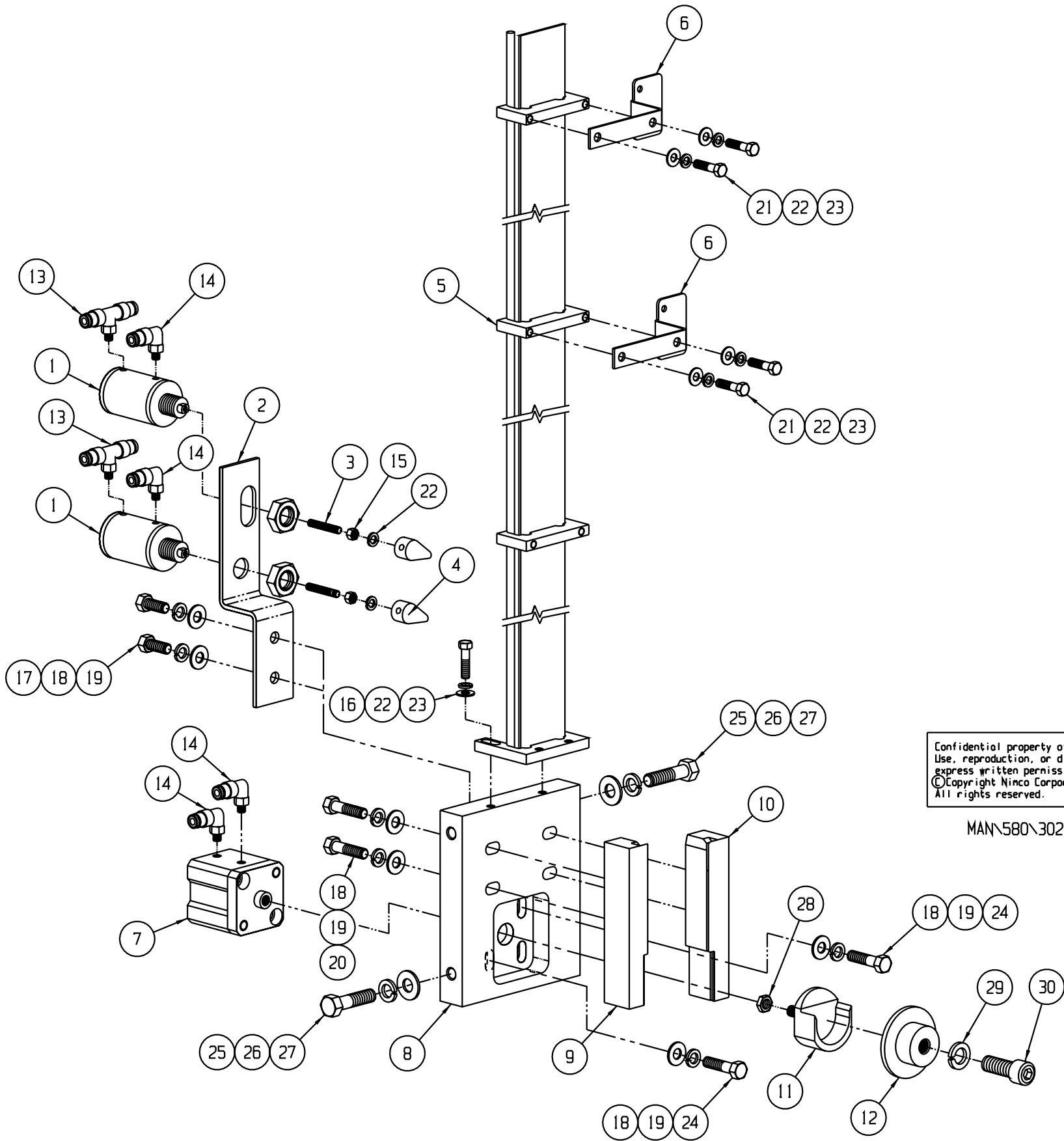
ITEM	PART NO	DESCRIPTION	QTY
1			
2	10468	PLATE, ROLLER SUPPORT	1
3	10450	BRACKET, BELT GUIDE	1
4	10454	COVER, ELEVATOR TOP	1
5	KN004	KNOB, 1/4-20 x 1" DIA.	11
6	10481	SPACER, ROLLER	5
7	BE343	BEARING, BALL, 1/2	5
8	10469	ROLLER, DRIVE, ELEVATOR	1
9	SC103	SET SCREW, # 10-32 x 3/8	1
10	10482	BRACKET, MOTOR	1
11	10483	COVER, MOTOR	1
12	MT018	MOTOR, DRIVE, ELEVATOR	1
13	10461	ROLLER, ELEVATOR	2
14	10463	SHAFT, ROLLER	1
15	SG039	CLIP, SST RETAINING, 3/8	8
16	10460	SHAFT, IDLER DISK	2
17	10459	DISK, IDLER	2
18	10451	BRACKET, BELT GUIDE	1
19	DR600	BELT, CLEATED, ELEVATOR	1
20	10462	COVER, ELEVATOR	1
21	12234	FRAME, CAP ELEVATOR, #3	1
22	8945	BLOCK, HINGE	2
23	8946	PIN, HINGE	2
24	8947	PIVOT, HINGE	2
25	12218	DOOR, HOPPER	1
26	SF206	FLAT HEAD, 1/4-20 x 3/4	3
27	12219	SUPPORT, DOOR, ELEVATOR	1
28	12176	HOPPER, ELEVATOR	1
29	10452	CAP, BELT	1
30	10487	COVER, ELEVATOR, BOTTOM	1
31	10466	PLATE, TAKE-UP	2
32	10464	BLOCK, TAKE-UP	2
33	10465	SHAFT, TAKE-UP	1
34	SG034	SPRING, EXTENSION, ELEVATOR	2
35	SR204	BUTTON HD, SOC, 1/4-20 x 1/2	30
36	SW220	WASHER, LOCK, 1/4	34
37	SH104	HEX HEAD, # 10-32 x 1/2	12
38	SW120	WASHER, LOCK, # 10	16
39	SH103	HEX HEAD, # 10-32 x 3/8	8
40	SH206	HEX HEAD, 1/4-20 x 3/4	14
41	SN130	NUT, LOCK, # 10-32	16
42	12245	COVER, ELEVATOR, FACE	1
43			
44			
45			
46			
47			
48			
49			
50			
51	11073	SPACER, ELEVATOR	2
52			
53			
54			
55			
56	11271	SPACER, ELEVATOR	2

CUT OFF

CUT OFF

CUT OFF

580 CAP ACCUMULATOR



Confidential property of Ninco Corporation.
Use, reproduction, or disclosure without
express written permission is prohibited.
© Copyright Ninco Corporation 2004, 2006
All rights reserved.

MAN\580\302B1

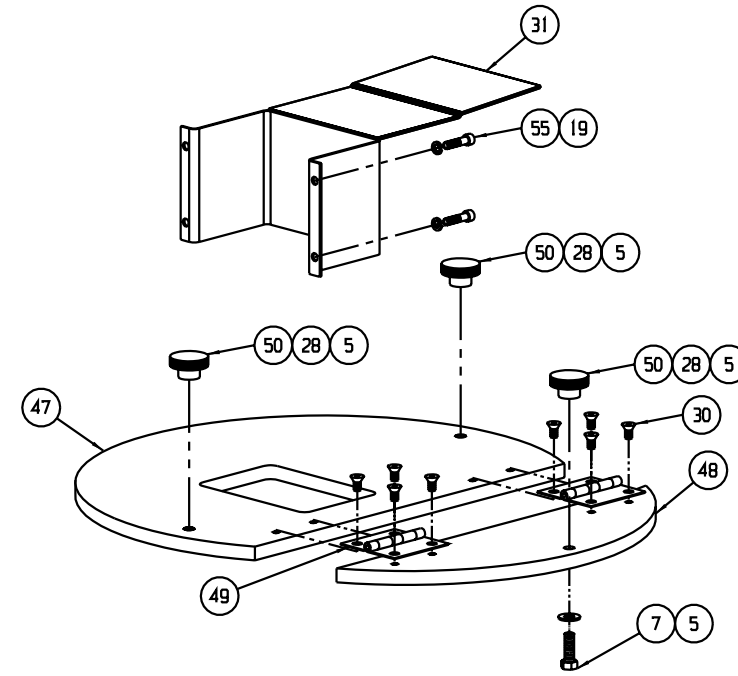
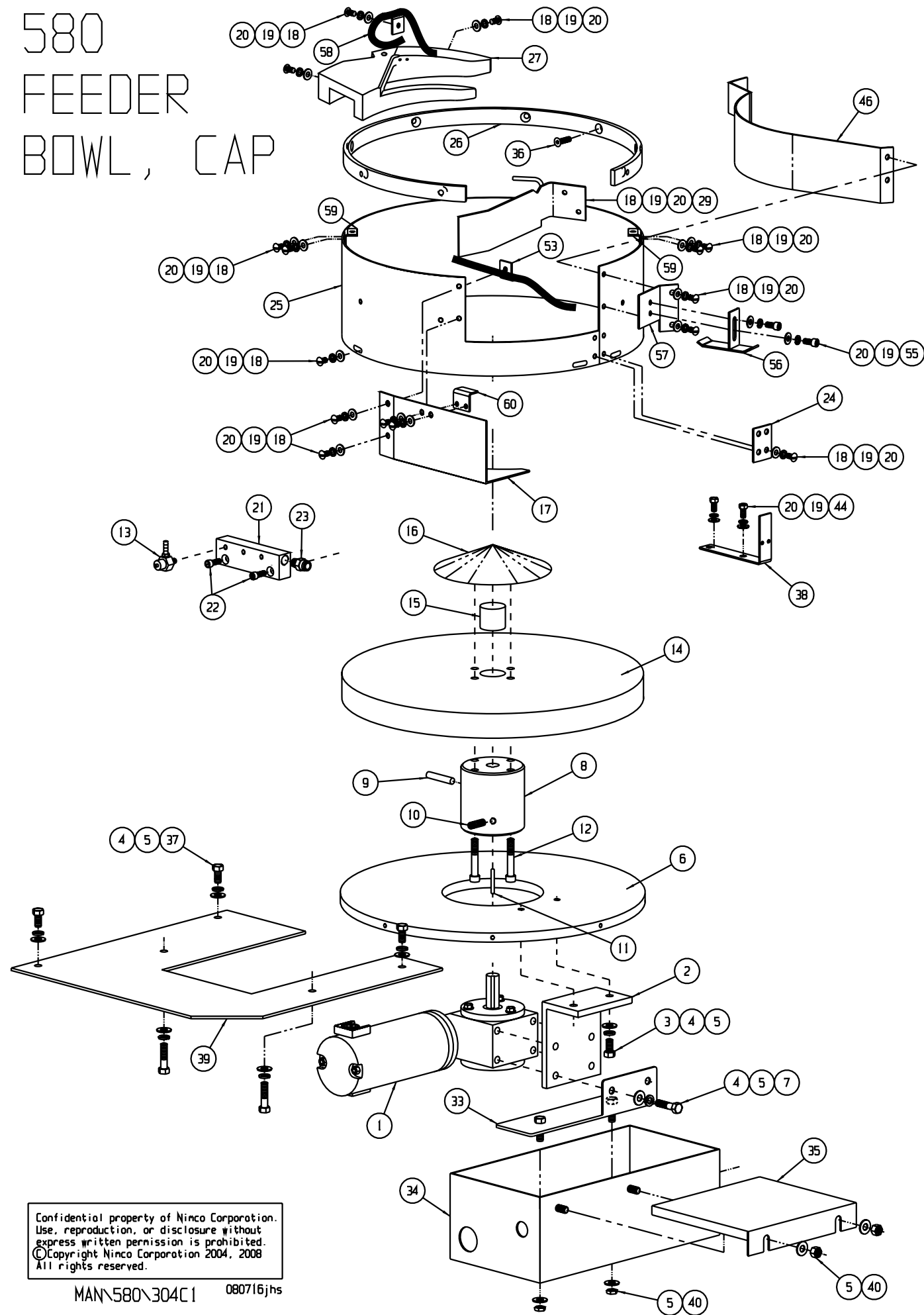
ITEM	PART NO	DESCRIPTION	QTY	ITEM	PART NO	DESCRIPTION	QTY
1	CY093	CYLINDER, AIR, 1/2 x 1	2	26	SW320	WASHER, LOCK, 5/16	4
2	12779	BRACKET, CYLINDER, ESCAPEMENT	1	27	SW310	WASHER, FLAT, 5/16	4
3	9559	THREADED ROD, # 8-32 x 1	2	28	SN235	NUT, JAM, 1/4-28	1
4	12780	FINGER, ESCAPEMENT	2	29	SW420	WASHER, LOCK, 3/8	1
5	13150	ACCUMULATOR, CAP, BACK	1	30	SK408	SOC. HEAD, 3/8-16 x 1	1
6	12784	BRACKET, PHOTO-EYE, SLIDE	2	31			
7	CY128	CYLINDER, AIR, 25 x 15 MM, NR	1	32			
8	12647	PLATE, SADDLE MOUNT	1	33			
9	12650	BLOCK, SADDLE, LEFT	1	34			
10	12649	BLOCK, SADDLE, RIGHT	1	35			
11	12648	SADDLE, CAP	1	36			
12	9881	PLUG, CAP, EL-32, RING	1	37			
13	FQ400	TEE, 5/32T x # 10-32	2	38			
14	FQ600	ELBOW, 5/32T x # 10-32	4	39			
15	SN010	NUT, HEX, # 8-32	2	40			
16	SH105	HEX HEAD, # 10-32 x 5/8	2	41			
17	SH204	HEX HEAD, 1/4-20 x 1/2	2	42			
18	SW220	WASHER, LOCK, 1/4	8	43			
19	SW210	WASHER, FLAT, 1/4	8	44			
20	SH210	HEX HEAD, 1/4-20 x 1 1/4	4	45			
21	SH104	HEX HEAD, # 10-32 x 1/2	4	46			
22	SW120	WASHER, LOCK, # 10	8	47			
23	SW110	WASHER, FLAT, # 10	6	48			
24	SH206	HEX HEAD, 1/4-20 x 3/4	2	49			
25	SH310	HEX HEAD, 5/16-18 x 1 1/4	4	50			

CUT OFF

CUT OFF

CUT OFF

580 FEEDER BOWL, CAP



ITEM	PART NO	DESCRIPTION	QTY	ITEM	PART NO	DESCRIPTION	QTY
1	MT030	Geormotor, Drive, Feederbowl	1	31	14037	Chute, Cap, 12", SST, Straight	1
2	10981	Bracket, Motor, Feeder Bowl	1	32			
3	SH205	Hex Head, 1/4-20 x 5/8	2	33	12322	Mount, Motor Cover, Bowl	1
4	SW220	Washer, Lock, 1/4	11	34	12323	Cover, Motor	1
5	SW210	Washer, Flat, 1/4	16	35	12523	Cover, Motor	1
6	12327	Plate, Feeder Bowl Base	1	36	SF152	Flat Hd, Relfd, 10-32 x 1/4	7
7	SH206	Hex Head, 1/4-20 x 3/4	5	37	SH204	Hex Head, 1/4-20 x 1/2	5
8	IP630	Hub, Feeder Bowl	1	38	13154	Bracket, Photo Eye, Track	1
9	SL216	Roll Pin, 1/4 x 2 SST	1	39	12504	Plate, Feeder Bowl	1
10	SC208	Set Screw, 1/4-20 x 1	2	40	SN242	Nut, LP, Nylok, 1/4-20	4
11	KS001	Keystock, 1/8 x 1	1	41			
12	SK218	Socket Head, 1/4-20 x 2 1/2	4	42			
13	CV304	Valve, Air Flow Control #10IPS	4	43			
14	12328	Plate, Rotating, Feeder Bowl	1	44	SH103	Hex Head, #10-32 x 3/8	2
15	10971	Pin, Alignment	1	45			
16	12329	Adaptor, Feeder Bowl Plate	1	46	14261	Guide, Inner, 12" Bowl, 1.8	1
17	12535	Chute Support	1	47	14038	Cover, Feeder Bowl, Split, Hinge	1
18	SR103	Round Head, 10-32 x 3/8	25	48	14039	Cover, Feeder Bowl, Split, Hinge	1
19	SW120	Washer, Lock, #10	33	49	HG150	Hinge, Butt, 2x2x.062	2
20	SW110	Washer, Flat, #10	29	50	KN004	Knob, 1/4-20 x 1 Dia	3
21	11282	Manifold, Air, Feeder Bowl	1	51	SR154	Tamper Head, 10-32 x 1/2	8
22	SK104	Socket Head, 10-32 x 1/2	2	52			
23	FQ231	Connector, 1/4T x 1/8MP	1	53	12632	Air, Jet, Feeder Bowl Exit	1
24	12561	Strap, 12" Bowl	1	54			
25	12326	Skin, Feeder Bowl, 12"	1	55	SK103	Socket Head, 10-32 x 3/8	6
26	14269	Guide, Cap, Bowl	1	56	13160	Guide, Cap, Feeder Bowl, Exit	1
27	12484	Rectifier, Cap, EL-32	1	57	13161	Guide, Cap, Feeder Bowl, Exit	1
28				58	14028	Air, Jet, Feeder Bowl, Flip	1
29	12485	Deflector, Cap	1	59	14033	Bracket, Cover, Feeder Bowl	2
30	SF103	Flat Head, # 10-32 x 3/8	8	60	14034	Bracket, Cover, Feeder Bowl	1

Confidential property of Ninco Corporation.
Use, reproduction, or disclosure without
express written permission is prohibited.
© Copyright Ninco Corporation 2004, 2008
All rights reserved.

MAN\580\304C1 080716jhs

CUT OFF

CUT OFF

CUT OFF